



DUAL ROCKER KIDS SEESAW

MODEL# 9338DRS
PRODUCT MANUAL - VERSION 5.20.01

FOR AGES:

3-7

WEIGHT LIMIT:

150 Lbs
75 Lbs Per Seat

TO BUILD:



TOOLS NEEDED:



HOW-TO
VIDEOS ONLINE



Manual en
español ubicado
en GQBrands.com

Spanish Manual located
at GQBrands.com

CUSTOMER SERVICE

GQBrands.com • CustomerService@GQBrands.com • 1-866-498-5269 • 4401 Samuell Blvd, Ste 150, Mesquite, TX 75149



PATENT PENDING *

CUSTOMER SERVICE INFORMATION

Thank you for purchasing: **DUAL ROCKER KIDS SEESAW**

MODEL# 9338DRS

If you have an issue with your item, do not return. Please report items that are damaged or missing parts to the manufacturer GQ Brands within three days of delivery. Contact customer service at customerservice@gqbrands.com to open a ticket.

At GQBrands®, we want all of our customers to be completely satisfied with their purchase. Take time to review the contents of the product you have just received to make sure that all of the parts are included. If you find that any parts are missing or damaged, we will provide replacement parts at no charge within 30 days of purchase.

Please keep in mind that for select damaged part replacement requests, we will require a photo for submission.

To register your product please visit:
www.globalqualitybrands.com/product-registration
or Scan code



To order these parts, or if you have any other questions or concerns about this GQBrands product, please contact us at

PureFun.Net
GQBrands®
Phone: 1-866-498-5269
Email: CustomerService@GQBrands.com
4401 Samuell Blvd, Ste 150, Mesquite, TX 75149

Please be sure to include the following information when you contact Customer Service:

YOUR NAME: _____

YOUR MAILING ADDRESS: _____

YOUR EMAIL ADDRESS: _____

PRODUCT NAME: _____

PRODUCT MODEL#: _____

PART NUMBER _____

RETAILER WHERE PURCHASED: _____

DATE OF PURCHASE: _____

ORDER NUMBER: (If Available) _____

QUANTITY NEEDED: _____

SERIAL NUMBER: _____

LIMITED WARRANTY

Global Quality Brands® warrants this product to be free from defects in workmanship and materials under normal use and conditions for a period of **90 DAYS FROM THE DATE OF ORIGINAL PURCHASE**. This Limited Warranty is not transferable and is available only for the original purchaser of the Product. The Company's obligation under this warranty is limited to replacing or repairing the Product, at the discretion of the company.

All warranty coverage extends only to the original retail purchaser from the date of purchase. GQBrands obligation under this warranty is limited to replacing or repairing, at Global Quality Brands® option. All products for which a warranty claim is made must be received by Global Quality Brands® and accompanied by sufficient proof of purchase (photocopy of the original store receipt, indicating the date of purchase). All freight and handling fees are the responsibility of the consumer to pay, both to and from Global Quality Brands®. All warranty claims must be pre-authorized by Global Quality Brands® pre-authorization can be obtained by calling 866-498-5269.

This warranty does not cover ordinary wear and tear, weathering, failure to follow directions, improper installation, improper maintenance, or acts of nature, (such as damage caused by wind, lightning, snow, water, or ice) weather damage, damage caused by unauthorized repair work or damage caused by improper use of the products are not covered by the product warranty. No other warranty beyond that specifically set forth above is authorized by GQBrands®.

GLOBAL QUALITY BRANDS® IS NOT RESPONSIBLE OR LIABLE FOR INDIRECT, SPECIAL OR CONSEQUENTIAL DAMAGES ARISING OUT OF OR IN CONNECTION WITH THE USE OR PERFORMANCE OF THE PRODUCT OR OTHER DAMAGES WITH RESPECT TO ANY ECONOMIC LOSS, LOSS OF PROPERTY, LOSS OF REVENUE OR PROFITS, LOSS OF ENJOYMENT OR USE, COST OF REMOVAL, INSTALLATION OR OTHER CONSEQUENTIAL DAMAGES. SOME STATES DO NOT ALLOW THE EXCLUSION OR LIMITATION OF INCIDENTAL OR CONSEQUENTIAL DAMAGES. ACCORDINGLY,

THE ABOVE LIMITATION MAY NOT APPLY TO YOU. THE WARRANTY EXTENDED HEREUNDER IS IN LIEU OF ALL OTHER WARRANTIES AND GLOBAL QUALITY BRANDS®, SPECIFICALLY DISCLAIMS ANY IMPLIED WARRANTY OF MERCHANTABILITY OR FITNESS FOR A PARTICULAR PURPOSE IS LIMITED IN ITS SCOPE AND DURATION TO THE TERMS SET FORTH HEREIN. SOME STATES DO NOT ALLOW LIMITATION ON HOW LONG AN IMPLIED WARRANTY LASTS. ACCORDINGLY, THE ABOVE LIMITATION MAY NOT APPLY TO YOU. THIS WARRANTY GIVES YOU SPECIFIC LEGAL RIGHTS. YOU MAY ALSO HAVE OTHER RIGHTS, WHICH VARY FROM STATE TO STATE.

WHILE EVERY ATTEMPT IS MADE TO ENSURE THE HIGHEST DEGREE OF PROTECTION IN ALL EQUIPMENT, WE CANNOT GUARANTEE FREEDOM OF INJURY. THE USER ASSUMES ALL RISK OF INJURY DUE TO USE. ALL MERCHANDISE IS SOLD ON THIS CONDITION, WHICH NO REPRESENTATIVE OF GQBRANDS® CAN WAIVE OR CHANGE.



⚠ WARNINGS



ADULT ASSEMBLY REQUIRED CHOKING HAZARD - Small Parts NOT for children under 3 years of age.

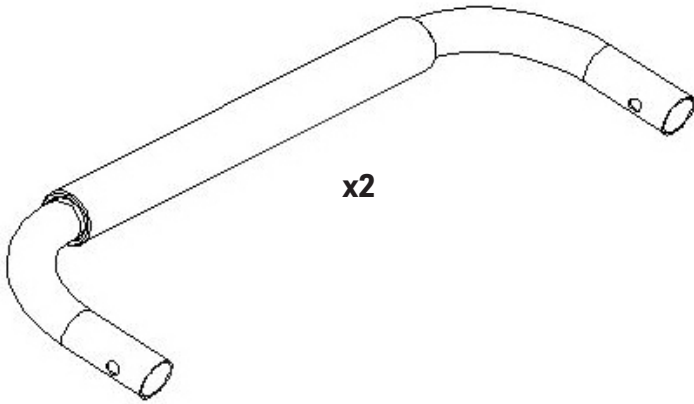
Please read these warnings and the information in this manual in its entirety.

Failure to comply with the following instructions may increase the risk of serious injury and/or death:

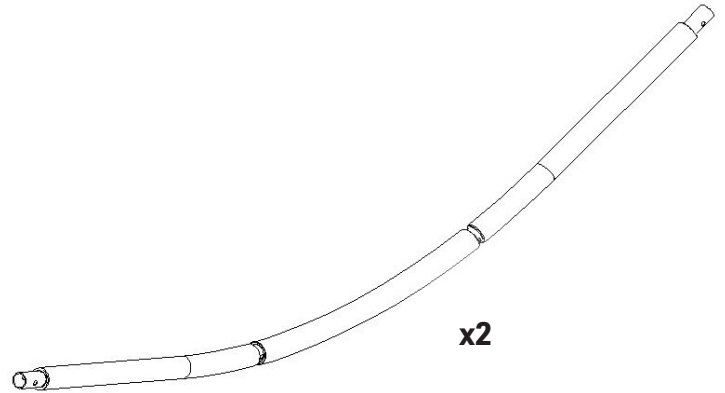
- This unit must be assembled and disassembled by ADULTS ONLY.
- This See Saw is suitable for use by most children 3 TO 7 YEARS OF AGE.
- Never use this product in any manner other than its intended use.
- DO NOT exceed the MAXIMUM WEIGHT limit of 150lbs (75 Lbs per seat) regardless of age.
- This unit has a MAXIMUM FALL HEIGHT of 43.5"
- DO NOT install this equipment over concrete, asphalt, or any other hard or rough surface. The See Saw should always be installed over an appropriate, stable surface (rubber mat, grass, etc).
- ALWAYS locate this equipment on a stable, level surface AT LEAST 7 feet away from any structure, obstruction, or possible hazard(s) such as walls, pools, power lines, overhangs, other playground equipment, driveways, hard surfaces and/or roadways.
- Children must be supervised at all times when using this equipment. DO NOT leave children unattended at any time.
- DO NOT attach items not specifically designed for this purpose. Especially in the case of jump ropes, chains, clotheslines, pet leashes and cables. These may cause a strangulation or physical hazard.
- DO NOT allow children to stand on the seesaw.
- This See Saw is only designed for family residential use. It is NOT intended for commercial applications and/or use in public areas such as schools, parks, nurseries, day schools, day cares, etc.
- DO NOT allow more than one child on each See Saw seat at a time.
- Instruct children to always be sure that the area under and around the seesaw is clear of any persons, pets or obstructions before using.
- DO NOT allow children to wear glasses or helmets when using the See Saw, including bike or other sports helmets.
- DO NOT allow children to wear loose fitting clothing, clothing with straps/loops, backpacks or wear and/or hold accessories with straps or loops, or any article of clothing or accessory with sharp edges which may present a hazard or become snagged or caught on the See Saw during use. Serious injury and/or accidental strangulation may occur.
- DO NOT place objects on or under the see saw, or allow people and pets to stand or sit on, near or under the See Saw when in use.
- DO NOT allow children to stand on the frame, or hang from the steel tubing – this can cause serious injury.
- Children must ALWAYS remain securely seated, in the forward facing position when using.
- DO NOT use in adverse weather conditions, while the seats are wet, or in poorly lit conditions.
- ALWAYS secure the See Saw against unsupervised use.
- ALWAYS wear the appropriate footwear (i.e. closed toe shoes) when using the See Saw.
- Before each use of this product and twice per month, inspect and replace any worn, loose, defective or missing parts and tighten all hardware. All moving parts should be lubricated with a household lubricant.
- It is important to check the entire See Saw to ensure the Frame Tubing, Protective Coverings, and Seats are steady and all parts and tubing caps are attached in good condition. If any loose, cracked, missing, or otherwise damaged components are found, cease use of this item immediately.
- Check metal parts for rust. If rust is found, sand and repaint using a non-lead based paint. If removed for winter storage, reinstall any plastic parts before allowing use.
- Rake and check depth of loose fill protective surfacing materials to prevent compaction and maintain appropriate depth. Replace as necessary.
- At the end of the play season or when the temperature drops below 40 degrees Fahrenheit, this unit must be disassembled and stored inside.
- Owners shall be responsible for maintaining the legibility of the warning labels.
- Please read and refer to other warnings and use information in the See Saw instructions before use.
- Dispose of all packaging materials safely and per local ordinance.

PARTS LIST

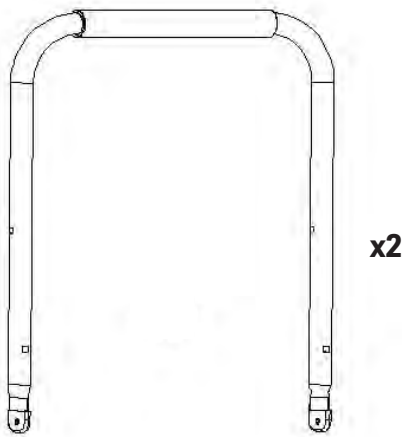
1-Base Rail



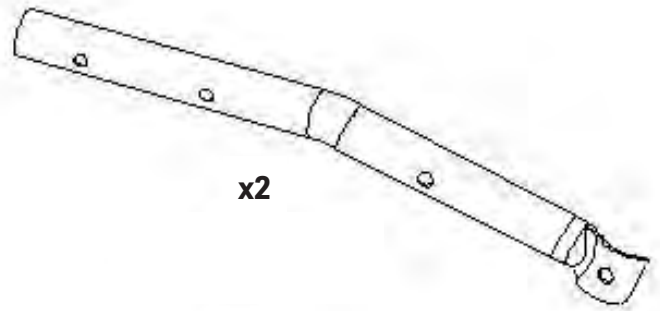
2- Base Bar



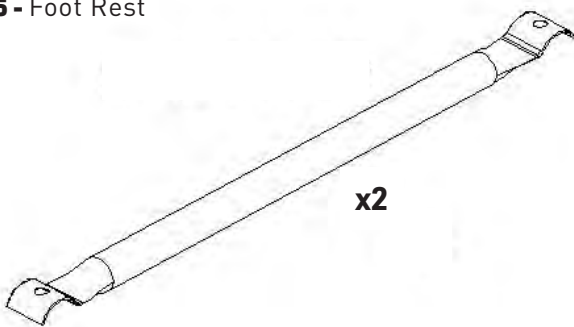
3-Handle Bar



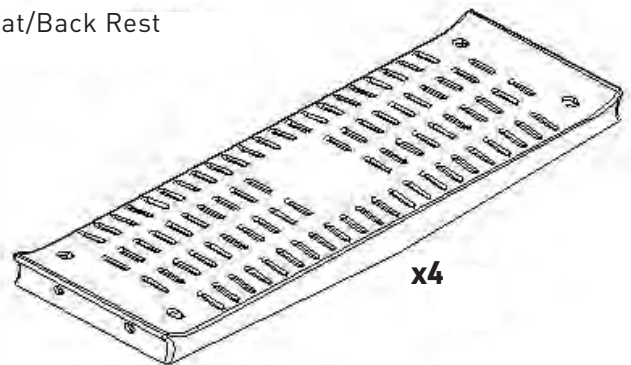
4 - Arm A



5 - Foot Rest

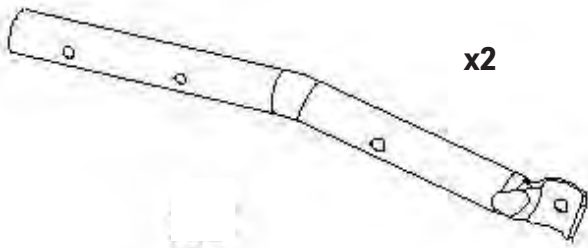


6 -Seat/Back Rest

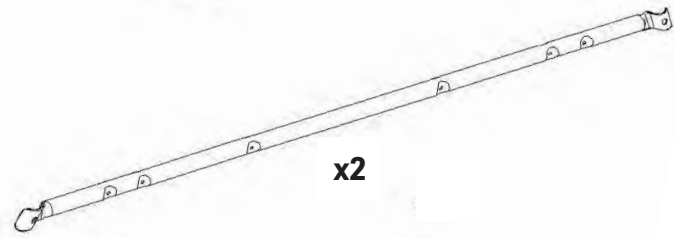


PARTS LIST

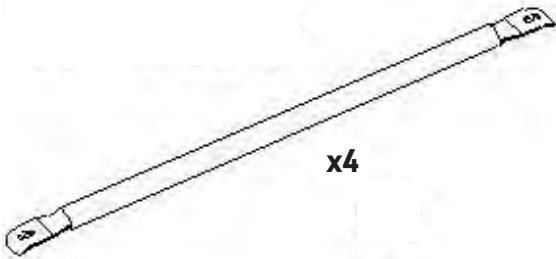
7 - Arm B



8 - Side Rail



9 - Seat Rails



10 - M6x40mm Bolt



11 - M6 Washer



12 - M6 Nut



13 - M6x50mm Bolt



14 - M6x35mm Bolt



15 - Square Nuts



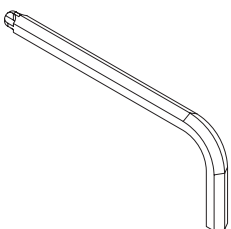
16 - M6x15mm Bolt



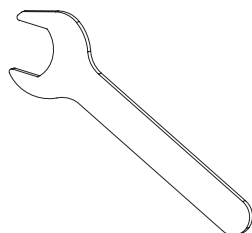
17 - Safety Caps



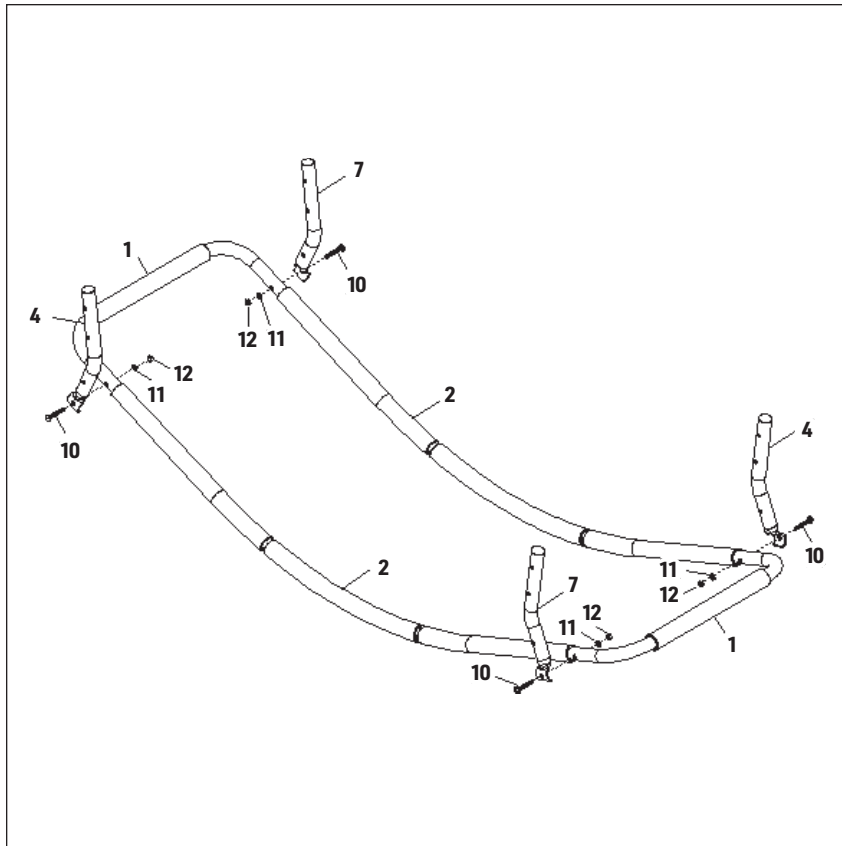
18 - Allen Wrench



19 - Service Wrench



ASSEMBLY INSTRUCTIONS



STEP 1

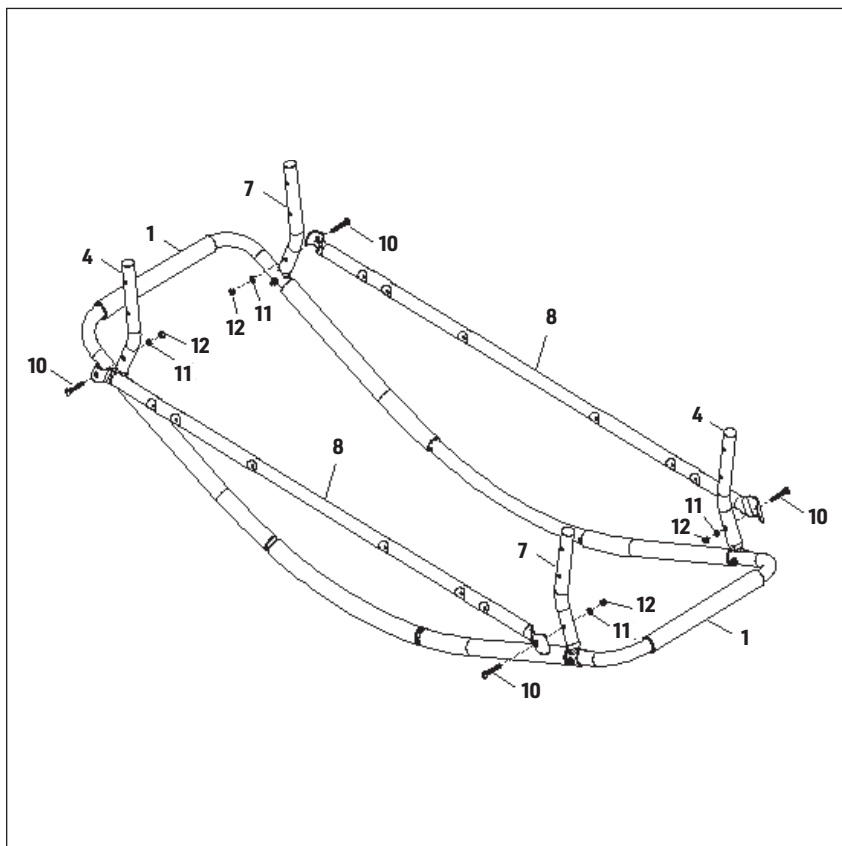
Parts:

- Part 1 (x2) - Base Rail
- Part 2 (x2) - Base Bar
- Part 4 (x2) - Arm A
- Part 7 (x2) - Arm B
- Part 10 (x4) - M6x40mm Bolt
- Part 11 (x4) - M6 Washer
- Part 12 (x4) - M6 Nut

Attach both Base Rails and Base Bars to create the bottom frame of the seesaw.

Install both Arm A & Arm B from the outside of the frame using the hardware provided. Repeat this step in both sides of the frame.

NOTE: Make sure to install the bolts from the outside, with washer and nuts on the inside of the frame to avoid injury.



STEP 2:

Parts:

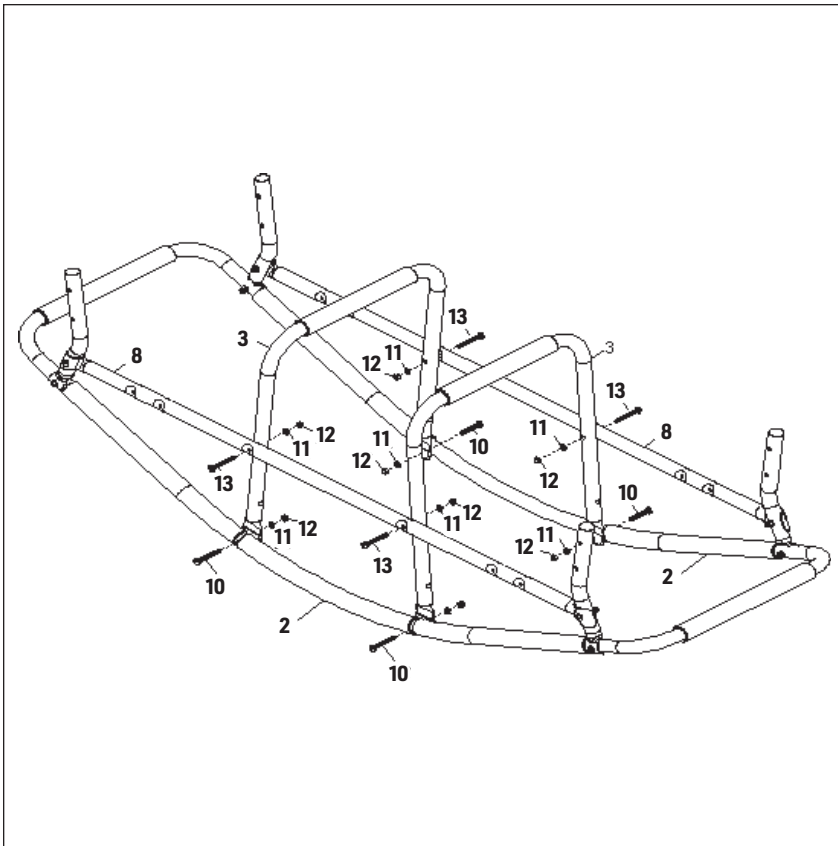
- Part 8 (x2) - Side Rails
- Part 10 (x4) - M6x40mm Bolt
- Part 11 (x4) - M6 Washer
- Part 12 (x4) - M6 Nut

NOTE: The Side Rails will have 12 openings on the side and 4 on the bottom. Make sure that all bottom openings are facing the floor.

Align the openings of the Side Rails hooks to the bottom openings of the Arms A & B.

NOTE: Make sure to install the bolts from the outside, with washer and nuts on the inside of the frame to avoid injury.

ASSEMBLY INSTRUCTIONS



STEP 3

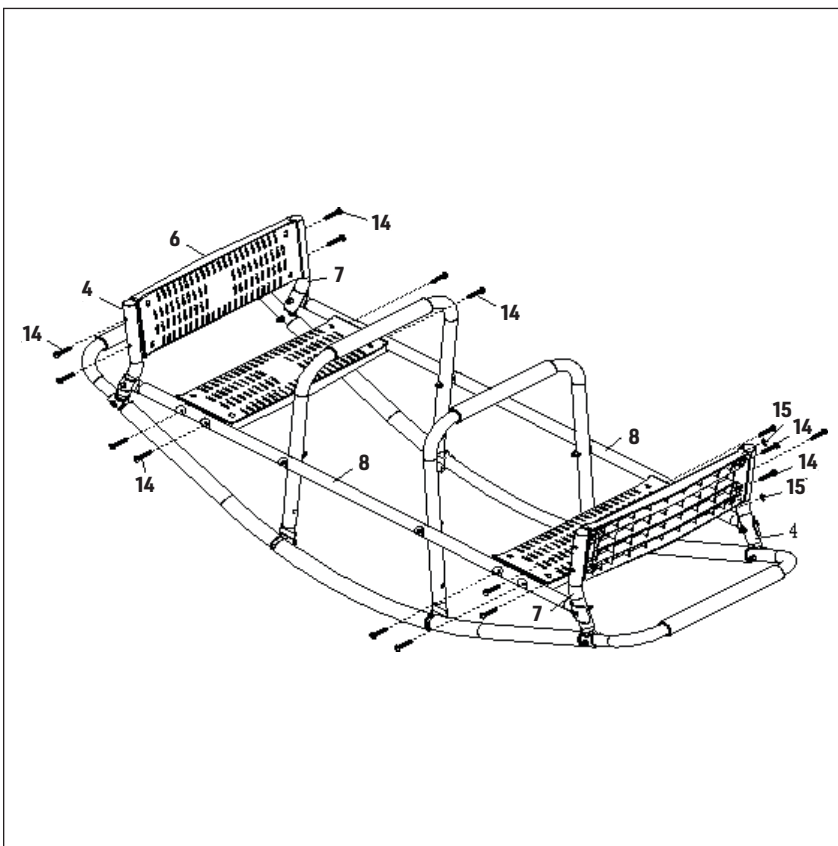
Parts:

- Part 3 (x2) - Handle Bars
- Part 10 (x4) - M6x40mm Bolt
- Part 11 (x8) - M6 Washer
- Part 12 (x8) - M6 Nut
- Part 13 (x4) - M6x50mm Bolt

Slide the Handle Bars (Part 3) in the middle of the frame and install using the hardware provided.

Align to the bottom of the frame and the middle of the side rails until snug.

NOTE: Make sure to install the bolts from the outside, with washer and nuts on the inside of the frame to avoid injury.



STEP 4

Parts:

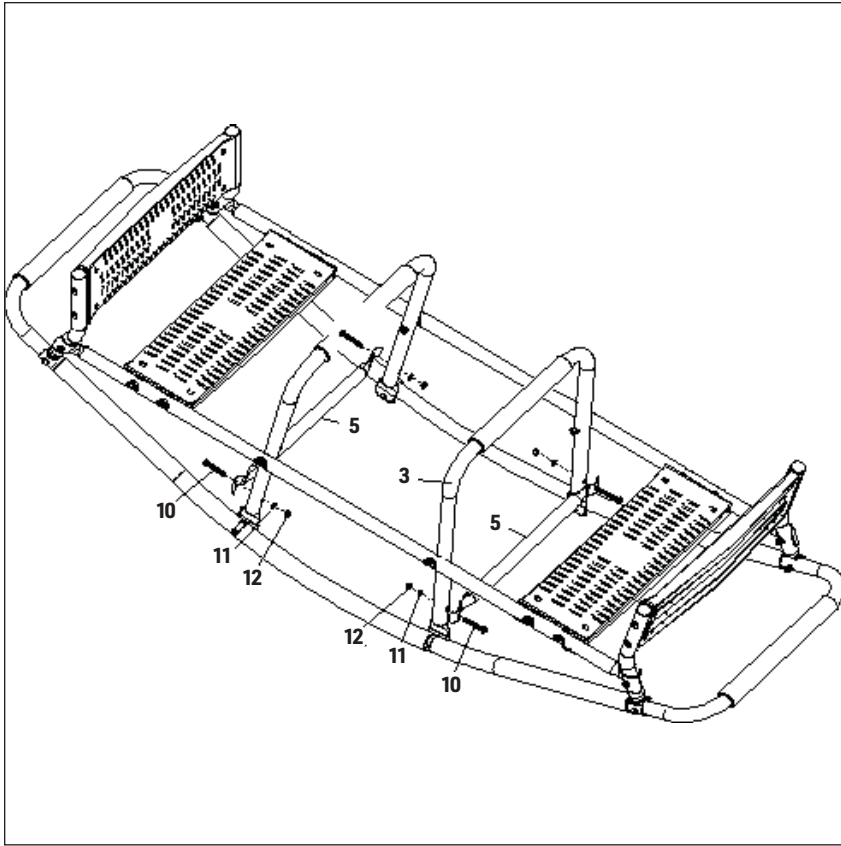
- Part 6 (x4) - Seats/ Back Rest
- Part 14 (x16) - M6x35mm Bolt
- Part 15 (x16) - Square Nuts

Flip over seesaw to install seats.

Install the seats to the rail of the Seesaw with the ridges facing away.

Use the M6x35mm (Part 14) Bolts to align to the openings and secure using the Square Nuts (Part 15) from the inside of the Seat/ Back Rests (Part 6)

ASSEMBLY INSTRUCTIONS



STEP 5:

Parts:

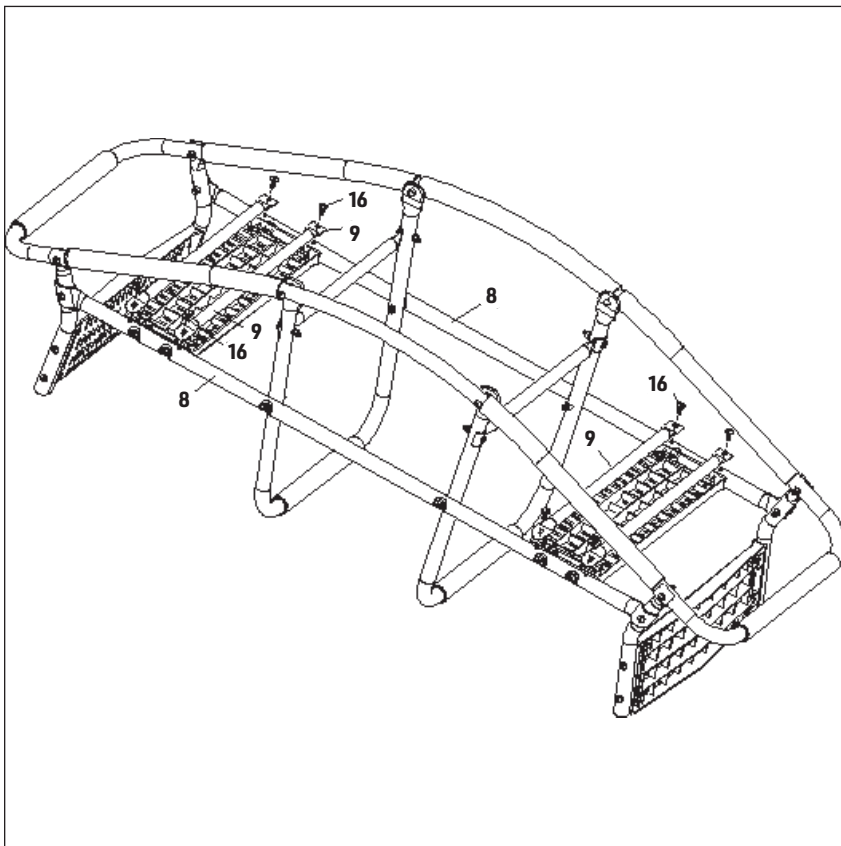
- Part 5 (x2) - Foot Rest
- Part 10 (x4) - M6x40mm Bolt
- Part 11 (x4) - M6 Washer
- Part 12 (x4) - M6 Nut

Align the Foot Rest (Part 5) with the hooks facing away from the seats to the openings of the handle bars (Part 3).

Install using the hardware provided.

NOTE: Make sure to install the bolts from the outside, with washer and nuts on the inside of the frame to avoid injury.

Before proceeding to step 6, make sure all hardware and bolts are securely tightened.



STEP 6

Parts:

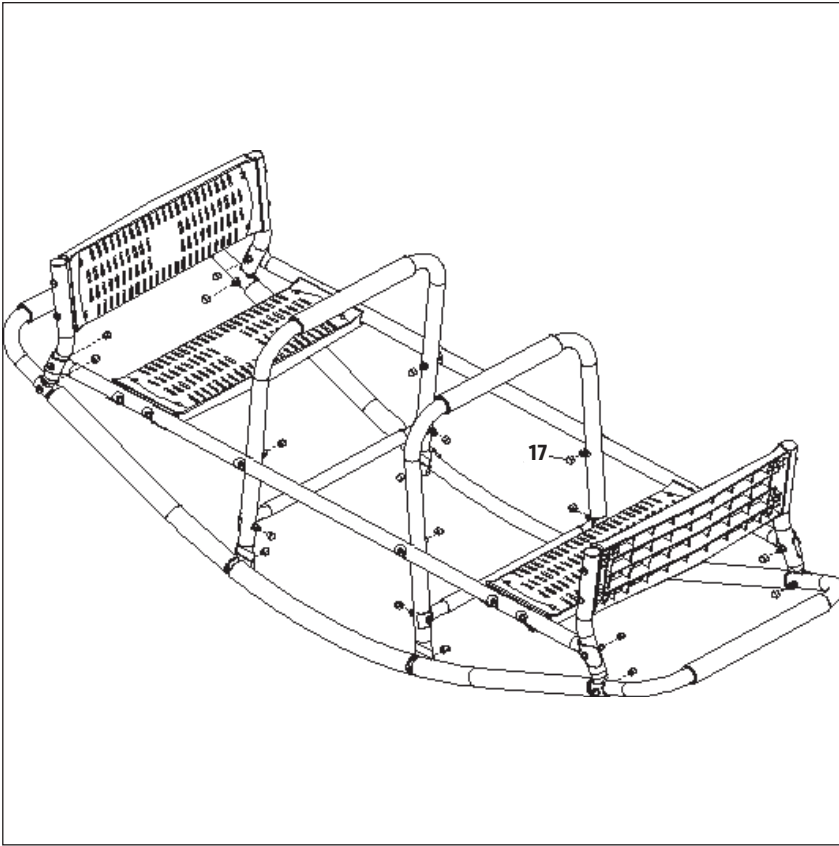
- Part 9 (x4) - Seat Rails
- Part 16 (x8) - M6x15mm Bolt

Flip the frame of the see saw to install the Seat Rails (Part 9).

Install the Seat Rails to the bottom openings of the side rails using the M6x15mm Bolts (Part 16).

NOTE: Failure to install Seat Rails properly can cause the seat to break.

ASSEMBLY INSTRUCTIONS



STEP 7:

Parts:

Part 17 (x20) - Safety Caps

Install all Safety Caps to all Bolts installed in the product.

NOTE: Failure to install safety caps can result in severe injury. Do not remove. If a safety cap is missing/broken, do not use product until covered completely.

FREQUENTLY ASKED QUESTIONS

Question: "How should I clean my seesaw?"

Answer: you should clean the Seesaw with a solution of warm water and Non- Corrosive/Abrasive soap. Dampen a rag with this solution and wipe completely dry before using.

Question: "A seat seems loose, what should I do?"

Answer: Make sure the Bolts/Nuts under the plastic seat are secure.

Question: "Something was missing from the packaging," "I need to purchase a replacement part" or "I discovered a damaged piece. What should I do?"

Answer: Contact customer service. You must have proof of purchase and/or order confirmation available to be considered for warranty replacement. You must report missing pieces within 30 days of purchase.

CARE & MAINTENANCE

- Your Seesaw is designed to be very low maintenance.
- If any part of the seesaw requires cleaning, simply wipe with a damp cloth.
- Regularly check to see if the steel tubes, seats, backrests and other parts are tightened and completely secure. Replace worn & damaged parts if found and if necessary, secure from use until replacement parts can be obtained.
- If the paint is chipped, we recommend you lightly rub the damaged area and cover using a non-toxic enamel paint.
- **IMPORTANT:** While no regular maintenance is required, you must inspect the seesaw before each use and replace any worn, defective, or missing parts. The following conditions could represent potential hazards: Missing, improperly positioned, or insecurely attached frame parts, Missing, improperly secured or damaged seats, and/or a bent or broken rocker, Cease using seesaw immediately and secure it against unauthorized use if any of these conditions are present.

Thank You Coupon!

As a way of saying thank you for purchasing one of our products, here is a 10% OFF coupon for your next purchase at

www.PureFun.net

Use Code: GQBRANDS10 at Checkout