



36-INCH KIDS BUNGEE TRAMPOLINE

MODEL# 9336KM
PRODUCT MANUAL - VERSION 5.20.01

FOR AGES:

3-10

WEIGHT LIMIT:

100 Lbs
45 Kgs

TO BUILD:



TOOLS NEEDED:



HOW-TO
VIDEOS ONLINE



CUSTOMER SERVICE

GQBrands.com • CustomerService@GQBrands.com • 1-866-498-5269 • 4401 Samuell Blvd, Ste 150, Mesquite, TX 75149



CUSTOMER SERVICE INFORMATION

Thank you for purchasing: 36-INCH KIDS BUNGEE TRAMPOLINE

MODEL# 9336KM

If you have an issue with your item, do not return. Please report items that are damaged or missing parts to the manufacturer GQ Brands within three days of delivery. Contact customer service at customerservice@gqbrands.com to open a ticket.

At GQBrands®, we want all of our customers to be completely satisfied with their purchase. Take time to review the contents of the product you have just received to make sure that all of the parts are included. If you find that any parts are missing or damaged, we will provide replacement parts at no charge within 30 days of purchase.

Please keep in mind that for select damaged part replacement requests, we will require a photo for submission.

To register your product please visit:
www.globalqualitybrands.com/product-registration
or Scan code



To order these parts, or if you have any other questions or concerns about this GQBrands product, please contact us at

PureFun.Net
GQBrands®
Phone: 1-866-498-5269
Email: CustomerService@GQBrands.com
4401 Samuell Blvd, Ste 150,
Mesquite, TX 75149

Please be sure to include the following information when you contact Customer Service:

YOUR NAME: _____

RETAILER WHERE PURCHASED: _____

YOUR MAILING ADDRESS: _____

DATE OF PURCHASE: _____

YOUR EMAIL ADDRESS: _____

ORDER NUMBER: (If Available) _____

PRODUCT NAME: _____

QUANTITY NEEDED: _____

PRODUCT MODEL#: _____

SERIAL NUMBER: _____

PART NUMBER _____

LIMITED WARRANTY

Global Quality Brands® warrants this product to be free from defects in workmanship and materials under normal use and conditions for a period of **90 DAYS FROM THE DATE OF ORIGINAL PURCHASE**. This Limited Warranty is not transferable and is available only for the original purchaser of the Product. The Company's obligation under this warranty is limited to replacing or repairing the Product, at the discretion of the company.

All warranty coverage extends only to the original retail purchaser from the date of purchase. GQ Brands obligation under this warranty is limited to replacing or repairing, at Global Quality Brands® option. All products for which a warranty claim is made must be received by Global Quality Brands® and accompanied by sufficient proof of purchase (photocopy of the original store receipt, indicating the date of purchase). All freight and handling fees are the responsibility of the consumer to pay, both to and from Global Quality Brands®. All warranty claims must be preauthorized by Global Quality Brands® pre-authorization can be obtained by calling 866-498-5269.

This warranty does not cover ordinary wear and tear, weathering, failure to follow directions, improper installation, improper maintenance, or acts of nature, (such as damage caused by wind, lightning, snow, water, or ice) weather damage, damage caused by unauthorized repair work or damage caused by improper use of the products are not covered by the product warranty. No other warranty beyond that specifically set forth above is authorized by GQBrands®.

GLOBAL QUALITY BRANDS® IS NOT RESPONSIBLE OR LIABLE FOR INDIRECT, SPECIAL OR CONSEQUENTIAL DAMAGES ARISING OUT OF OR IN CONNECTION WITH THE USE OR PERFORMANCE OF THE PRODUCT OR OTHER DAMAGES WITH RESPECT TO ANY ECONOMIC LOSS, LOSS OF PROPERTY, LOSS OF REVENUE OR PROFITS, LOSS OF ENJOYMENT OR USE, COST OF REMOVAL, INSTALLATION OR OTHER CONSEQUENTIAL DAMAGES. SOME STATES DO NOT ALLOW THE EXCLUSION OR LIMITATION OF INCIDENTAL OR CONSEQUENTIAL DAMAGES. ACCORDINGLY,

THE ABOVE LIMITATION MAY NOT APPLY TO YOU. THE WARRANTY EXTENDED HEREUNDER IS IN LIEU OF ALL OTHER WARRANTIES AND GLOBAL QUALITY BRANDS®, SPECIFICALLY DISCLAIMS ANY IMPLIED WARRANTY OF MERCHANTABILITY OR FITNESS FOR A PARTICULAR PURPOSE IS LIMITED IN ITS SCOPE AND DURATION TO THE TERMS SET FORTH HEREIN. SOME STATES DO NOT ALLOW LIMITATION ON HOW LONG AN IMPLIED WARRANTY LASTS. ACCORDINGLY, THE ABOVE LIMITATION MAY NOT APPLY TO YOU. THIS WARRANTY GIVES YOU SPECIFIC LEGAL RIGHTS. YOU MAY ALSO HAVE OTHER RIGHTS, WHICH VARY FROM STATE TO STATE.

WHILE EVERY ATTEMPT IS MADE TO ENSURE THE HIGHEST DEGREE OF PROTECTION IN ALL EQUIPMENT, WE CANNOT GUARANTEE FREEDOM OF INJURY. THE USER ASSUMES ALL RISK OF INJURY DUE TO USE. ALL MERCHANDISE IS SOLD ON THIS CONDITION, WHICH NO REPRESENTATIVE OF GQBRANDS® CAN WAIVE OR CHANGE.

WARNINGS



ADULT ASSEMBLY REQUIRED **CHOKING HAZARD - Small Parts** **NOT** for children under 3 years of age.

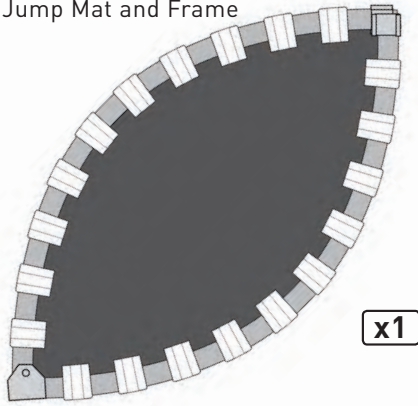
Please read these warnings and the information in this manual in its entirety.

Failure to comply with the following instructions may increase the risk of serious injury and/or death:

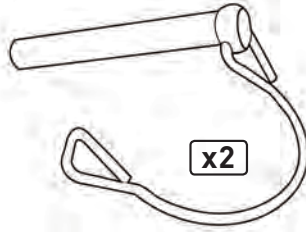
- This unit must be assembled and disassembled by **ADULTS ONLY**.
- Children must be supervised at all times when using this equipment. **DO NOT** leave children unattended at any time.
- Children **MUST NEVER** use the trampoline unless supervised by a responsible adult with knowledge of trampoline use.
- This trampoline is suitable for use by most children 3 to 10 years of age.
- **DO NOT** exceed the **MAXIMUM WEIGHT** limit of 100lbs (45kgs) regardless of age.
- This trampoline is **NOT** for adult use.
- The trampoline handle is only intended to assist your child with controlling their bounce and maintaining their balance on the mat. The handle should **NOT** be used for any other purpose or as a climbing feature.
- This trampoline is only designed for normal residential indoor use. It is **NOT** intended for commercial applications and/or in public areas such as schools, parks, nurseries, day schools, day cares, etc. For **INDOOR USE ONLY**: Your trampoline should be placed at a safe distance from any obstructions, stairways, windows, furniture, appliances, etc.
- **DO NOT** allow more than one person on the trampoline at a time.
- **DO NOT** wear glasses or helmets when using the trampoline.
- **DO NOT** fall or bounce on your knees - this can cause injury.
- **DO NOT** somersault — this can cause serious injury, including paralysis or death.
- **DO NOT** allow other persons to go under, sit, stand or lie on or near the frame pads or mat while the trampoline is in use.
- **NEVER** store items or playthings under the trampoline.
- **ALWAYS** secure this trampoline against unauthorized and/or unsupervised use.
- **DO NOT** use or allow use of the trampoline under the influence of any substance or medication which may impair the supervisor's or jumper's judgment and/or coordination.
- Mount and dismount the trampoline with care as injury may result.
- **ALWAYS** remove jewelry, belt buckles, or any other sharp objects before using the trampoline.
- **ALWAYS** jump in the middle of the trampoline bed.
- You should only use the included Spring Tool to attach the Springs. Work gloves are recommended to be worn when attaching the Springs to protect against pinch points.
- Before each use of this product, carefully inspect it and replace any worn, defective or missing parts. Although the springs, pad, foam and mat are made to take a lot of wear, over time these parts may need to be replaced. Additionally, the construction of this trampoline uses hardware which may need to be re-tighten in certain cases. It is important to check the trampoline periodically to ensure the frame is steady and all parts are in good condition.
- **ALWAYS** make sure that the bolt ends are covered by the included Safety Caps. If a Safety Cap is missing, the bolt ends should be sufficiently covered with another protective device before use by a child is allowed.
- Please read and refer to other warnings and use information in the trampoline instructions before use.
- Dispose of all packaging materials safely and per local ordinance.
- We cannot guarantee freedom from injury. The user assumes all risks of injury due to use. All merchandise is sold on this condition, which no representative of the company can waive or change.

PARTS LIST

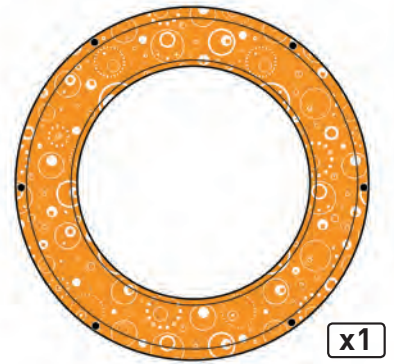
1- Jump Mat and Frame



2- Safety Hook



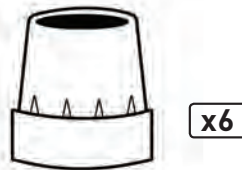
3- Frame Pad



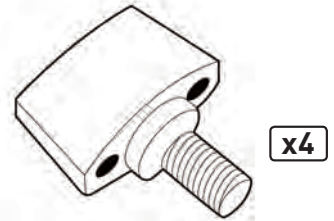
4- Leg



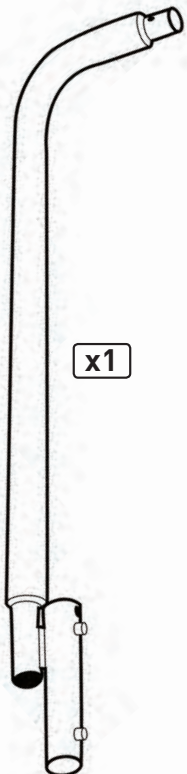
5- Leg Cap



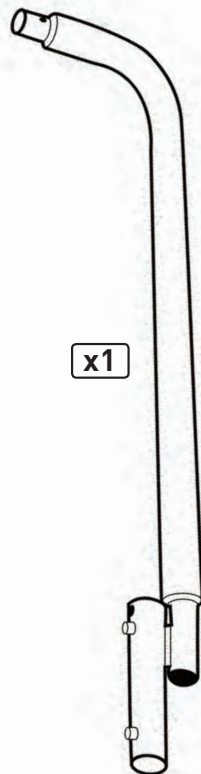
6- Knob Screw



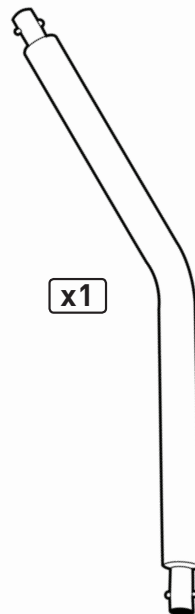
7- Left Side Handrail



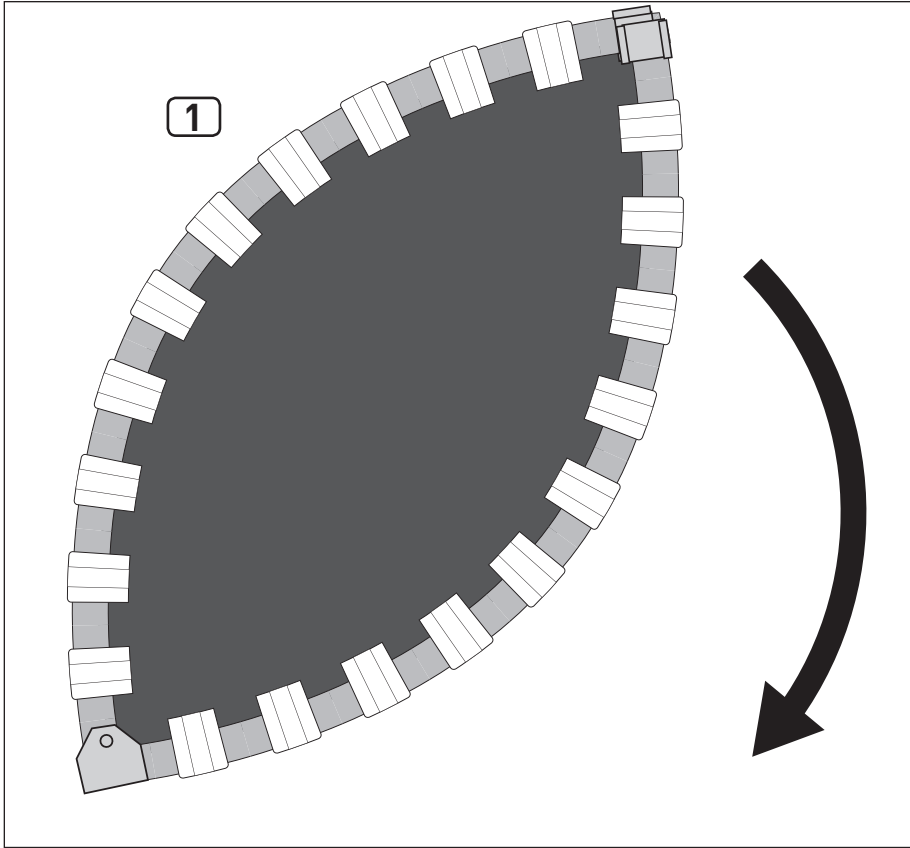
8- Right Side Handrail



9- Center Handrail



ASSEMBLY INSTRUCTIONS

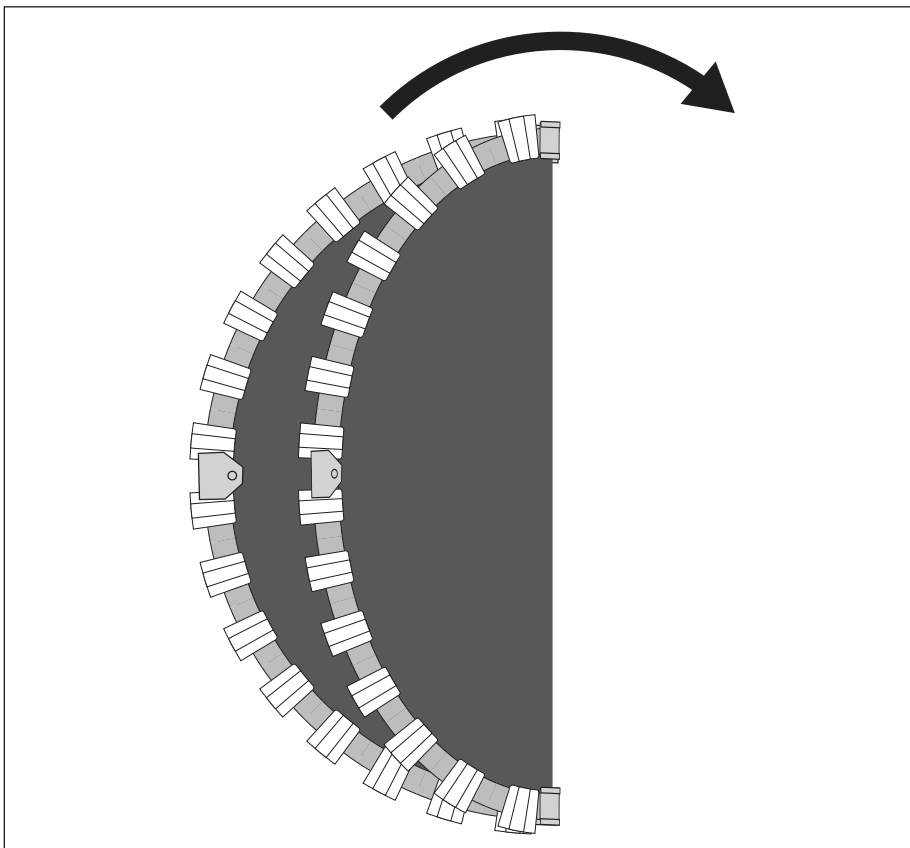


STEP 1:

Parts:

Part 1 (x1) - Jump Mat and Frame

Locate the middle of the Jump Mat and Frame (1) and unfold to make half a circle in shape.

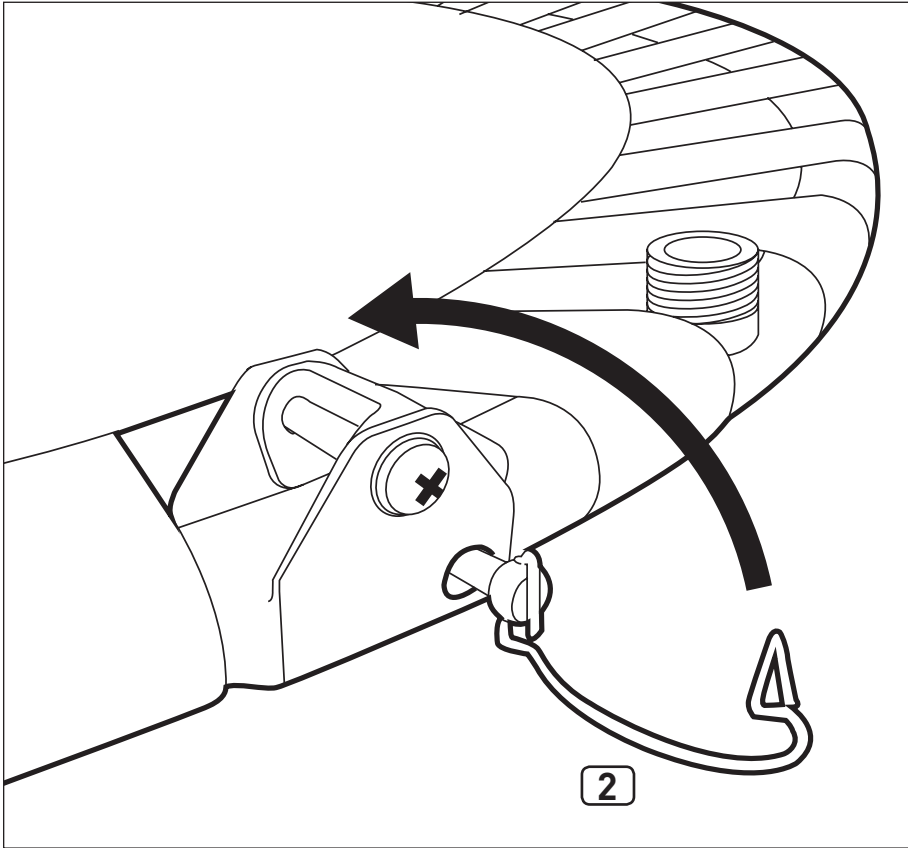


STEP 2:

Unfold again to create the complete Frame in a complete circle, with the mat properly stretched out.

NOTE: The loops of the Mat will have strong tension while unfolding, use caution as you unfold completely.

ASSEMBLY INSTRUCTIONS



STEP 3:

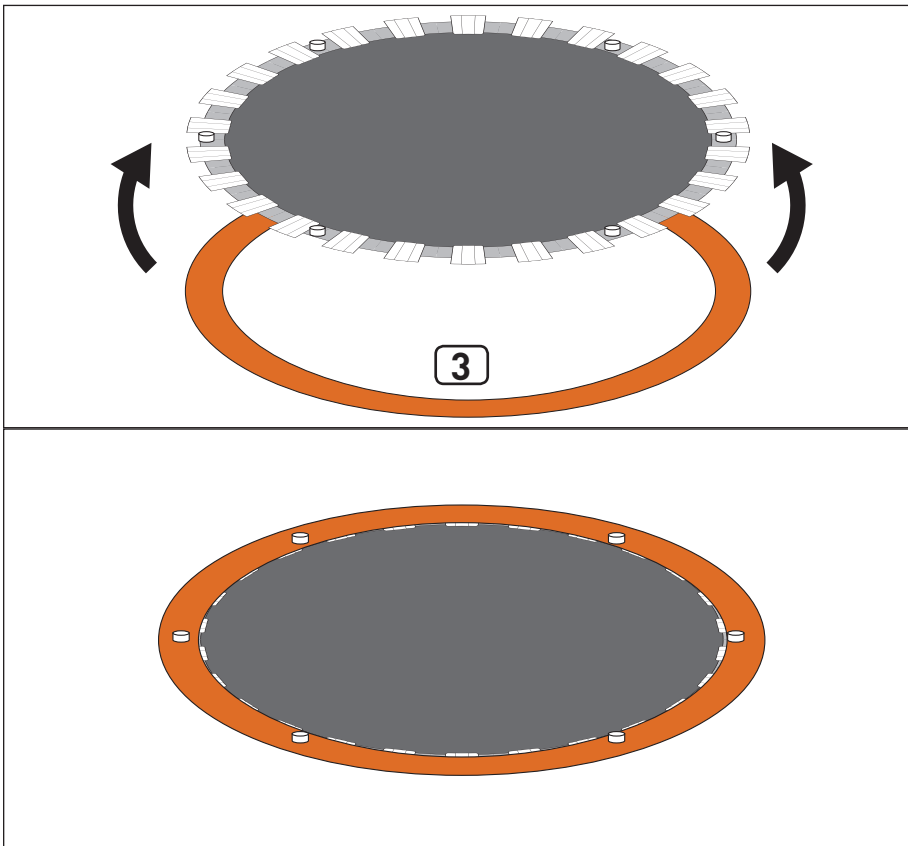
Parts:

Part 2 (x2) - Safety Hook

Locate both hinges at opposite sides from each other in the Jump Mat and Frame.

Insert the Safety Hook (2) bolt through the small openings of the hinges, and secure it once it shows through the other side with the Hook attached in its head.

Do this with both hooks to prevent the Mat from unfolding.



STEP 4:

Parts:

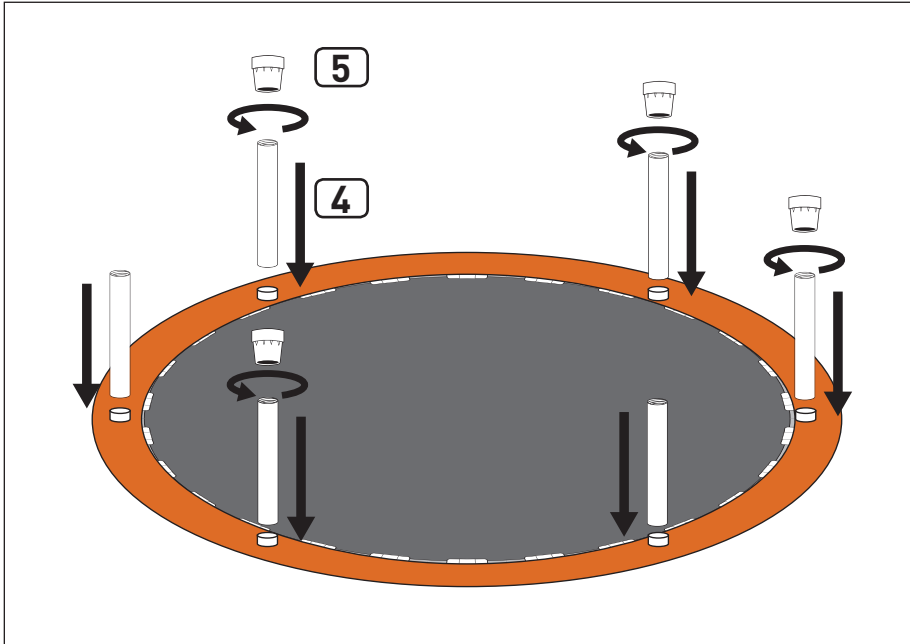
Part 3 (x1) - Frame Pad

With the leg screws of the Mat facing up, insert the Frame Pad so all 6 openings meet the leg screws and the Frame Pad is installed properly.

NOTE:

Make sure that the Frame Pad is covering all Loops from the Mat to avoid injury.

ASSEMBLY INSTRUCTIONS



STEP 5:

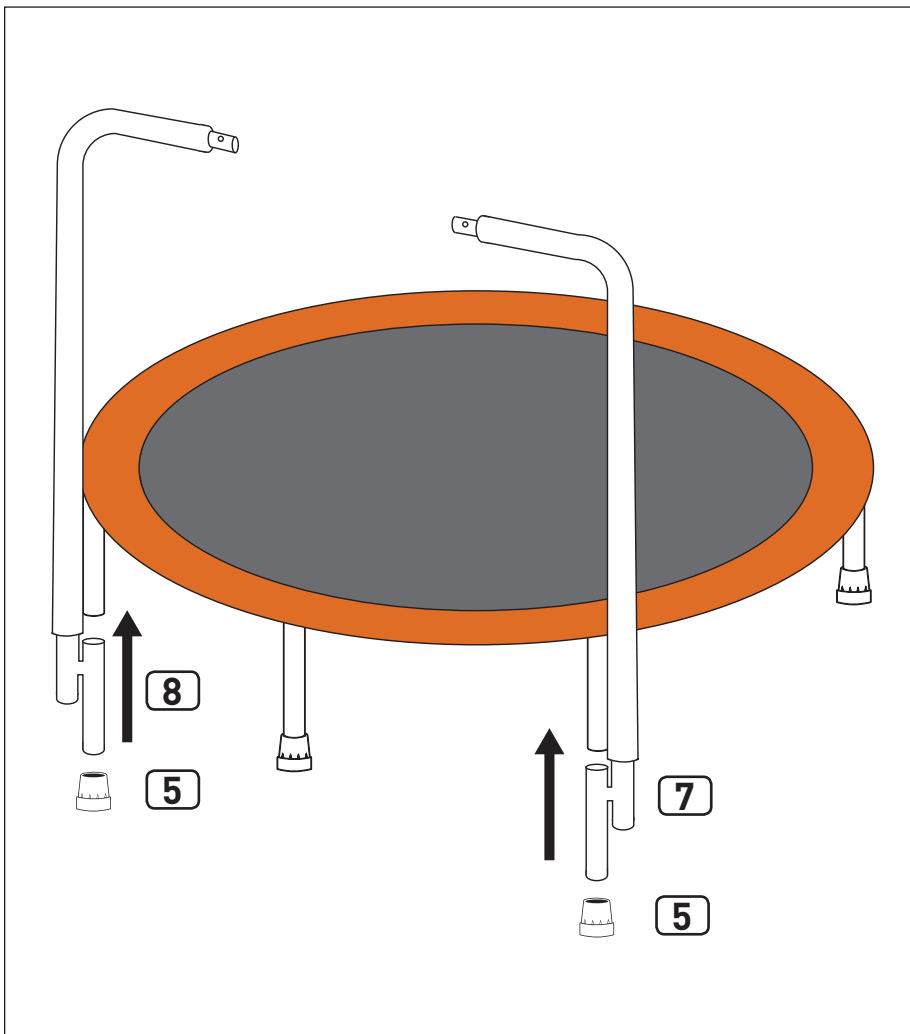
Parts:

- Part 4 (x6) - Leg
- Part 5 (x4) - Leg Cap

Install the all Legs (4) into their respective installed screws from the frame.

Place 4x Leg Caps (5) while leaving two Legs without caps as shown for Step 6.

Flip the frame over to install Handrails.



STEP 6:

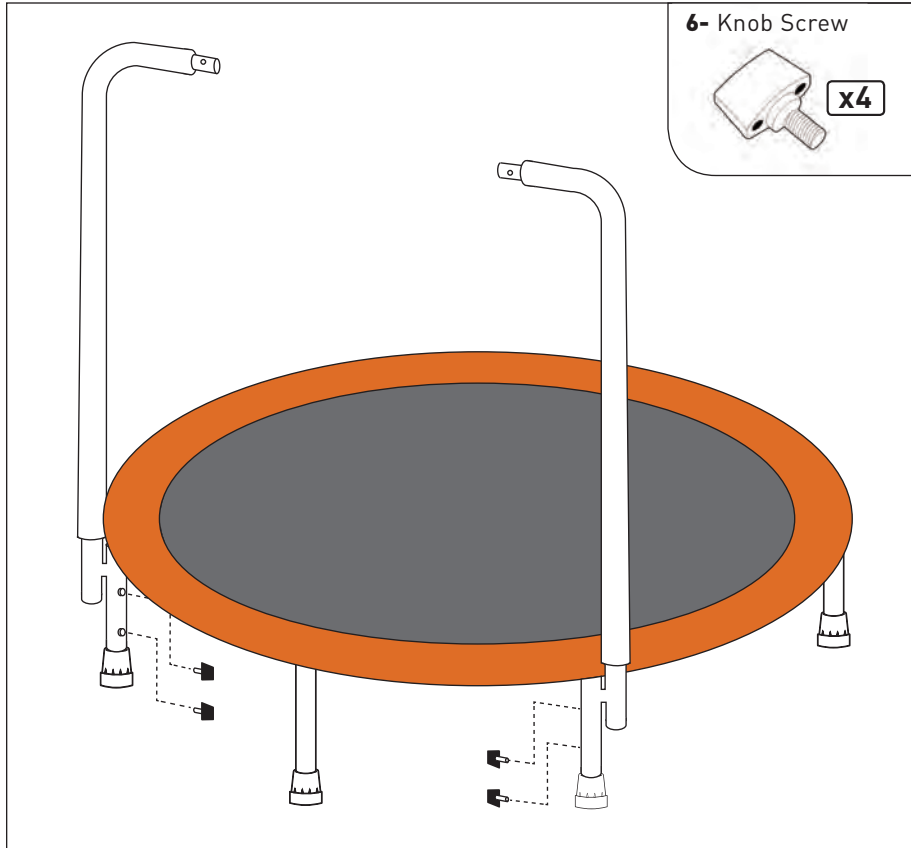
Parts:

- Part 5 (x2) - Leg Cap
- Part 7 (x1) - Left Side Handrail
- Part 8 (x1) - Right Side Handrail

Slide both Left Side Handrail (7) & Right Side Handrail (8) to their respective Legs and secure with a Leg Cap. Do this with both Side Handrails.

The top of both Handrails must be facing each other.

ASSEMBLY INSTRUCTIONS



STEP 7:

Parts:

Part 6 (x4) - Knob Screws

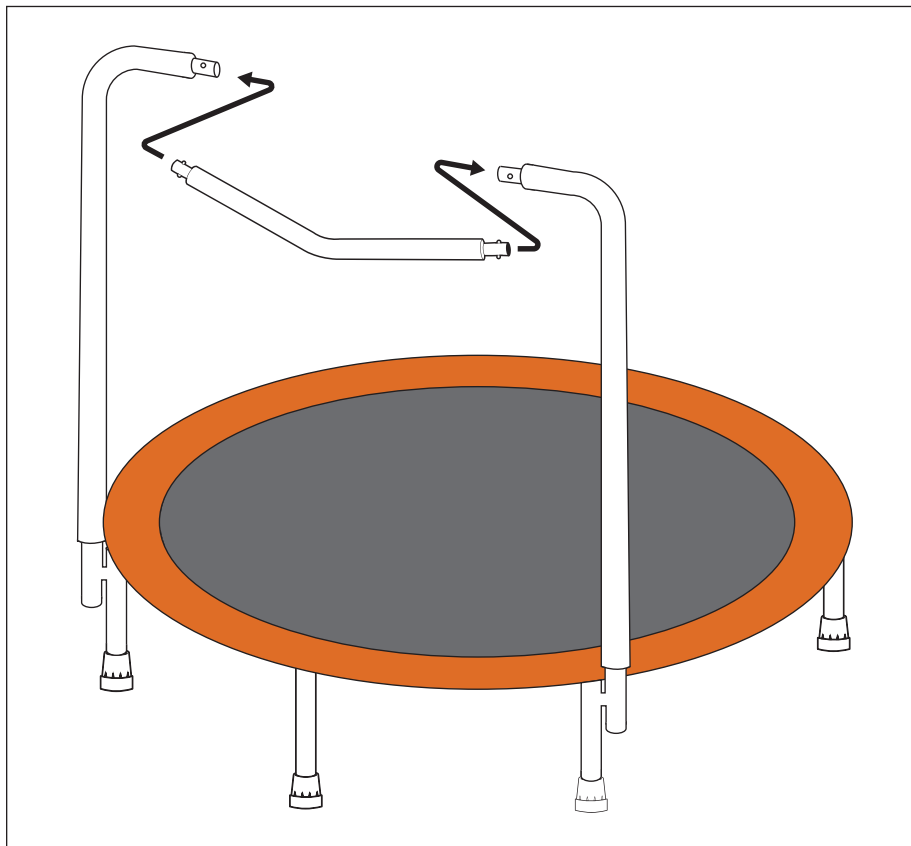
Locate the 4 openings at the bottom of the Side Handles, and tighten the Knob Screws (6). This will make sure that the Side Handles do not detach from the Trampoline.

STEP 8:

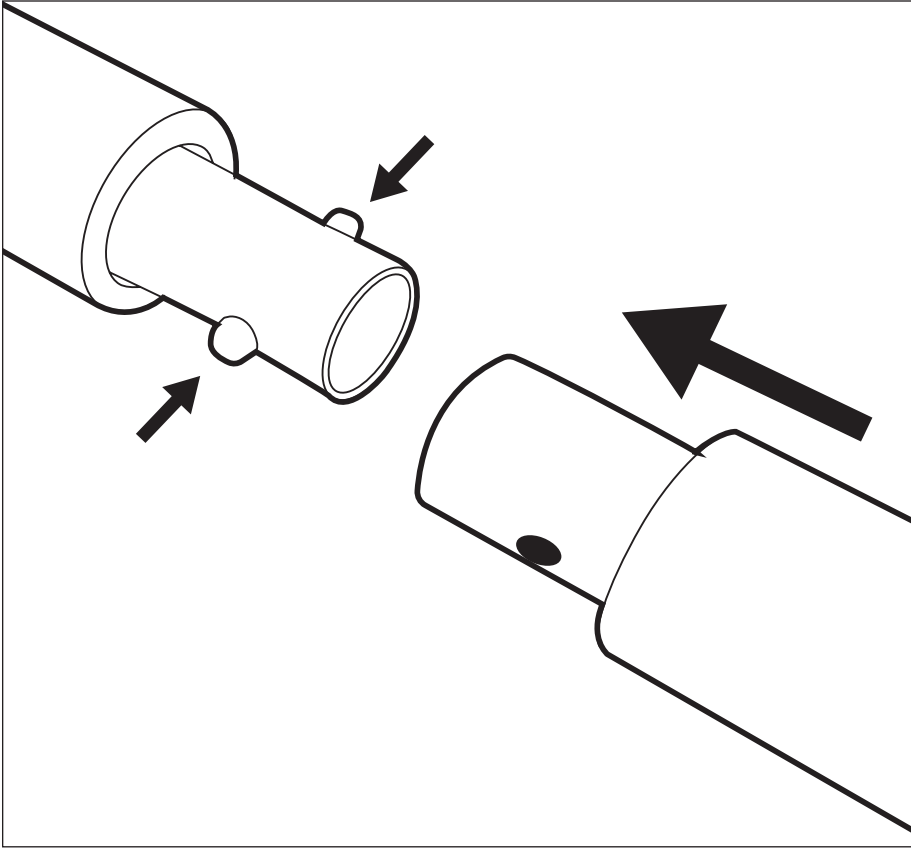
Parts:

Part 8 (x1) - Center Handrail

Place the Center Handrail (8) between both Side Handrails, and install using the Snap & Click buttons.



ASSEMBLY INSTRUCTIONS



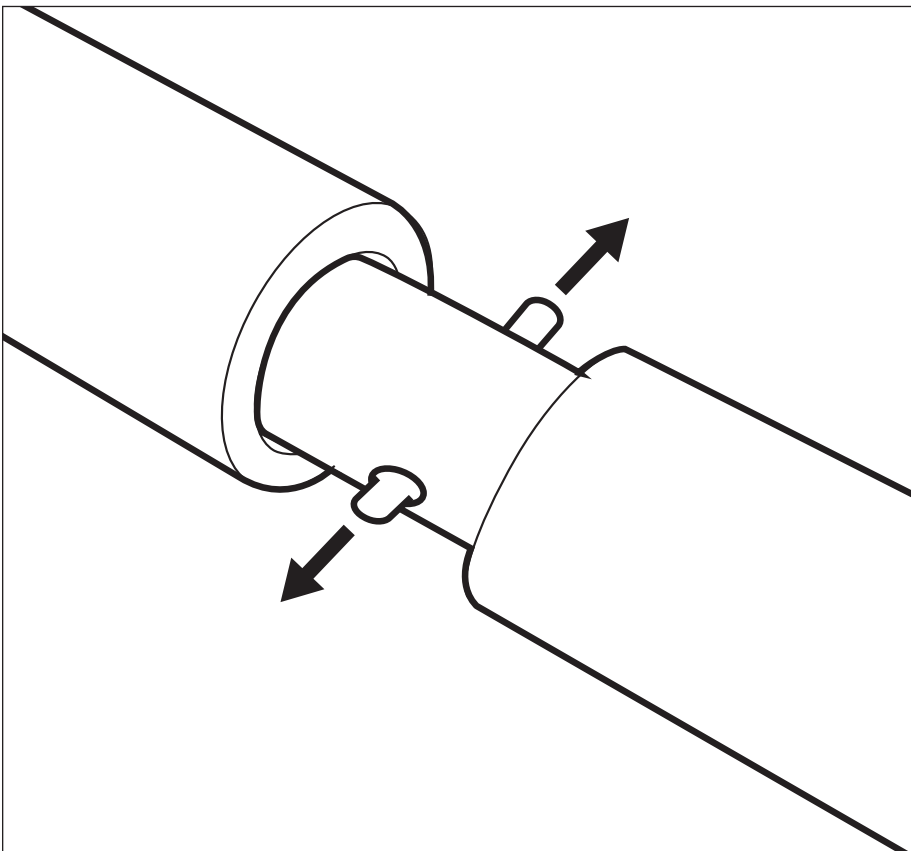
STEP 9:

Push both buttons at the same time and slide the Center Handrail. Align the buttons with the openings and release to secure.

Repeat this step on the other side to connect the Center Handrail.

Slide the foams on the handles to hide the buttons and avoid pinching while in use.

NOTE:
Failure to properly hide the Buttons and Handles with the installed foam may cause severe injury or bruises.



FREQUENTLY ASKED QUESTIONS

Question: “One of my trampoline legs has broken” or “The trampoline padding or mat is damaged, how do I replace it?”

Answer: If you are still within your warranty period (90 days from initial purchase) You should contact customer service. You can also purchase select replacement parts at: www.PureFun.net

Question: “I had a part missing from my box” or “something was damaged during assembly, can you send it to me?”

Answer: If it has been 30 days or less from the date of your initial purchase, you can contact customer service for a replacement part to be issued.

Thank You Coupon!

As a way of saying thank you for purchasing one of our products, here is a 10% OFF coupon for your next purchase at

www.PureFun.net

Use Code: GQBRANDS10 at Checkout