

# KIDS PRO FREESTANDING REFLEX PUNCHING BAG

MODEL# 8918PP  
PRODUCT MANUAL - VERSION 5.20.01

FOR AGES:

6+

WEIGHT LIMIT:

N/A

TO BUILD:



TOOLS NEEDED:

N/A



**HOW-TO**  
VIDEOS ONLINE



## CUSTOMER SERVICE

GQBrands.com • CustomerService@GQBrands.com • 1-866-498-5269 • 4401 Samuell Blvd, Ste 150, Mesquite, TX 75149



# CUSTOMER SERVICE INFORMATION

## Thank you for purchasing: KIDS PRO FREESTANDING REFLEX PUNCHING BAG

MODEL# 8918PP

If you have an issue with your item, do not return. Please report items that are damaged or missing parts to the manufacturer GQ Brands within three days of delivery. Contact customer service at [customerservice@gqbrands.com](mailto:customerservice@gqbrands.com) to open a ticket.

At GQBrands®, we want all of our customers to be completely satisfied with their purchase. Take time to review the contents of the product you have just received to make sure that all of the parts are included. If you find that any parts are missing or damaged, we will provide replacement parts at no charge within 30 days of purchase.

To register your product please visit:  
[www.globalqualitybrands.com/product-registration](http://www.globalqualitybrands.com/product-registration)  
or Scan code:



To order these parts, or if you have any other questions or concerns about this GQBrands product, please contact us at

PureFun.net  
GQ Brands  
Phone: 1-866-498-5269  
Email: [CustomerService@GQBrands.com](mailto:CustomerService@GQBrands.com)  
4401 Samuell Blvd, Ste 150, Mesquite, TX 75149

Please be sure to include the following information when you contact Customer Service:

YOUR NAME: \_\_\_\_\_

YOUR MAILING ADDRESS: \_\_\_\_\_

YOUR EMAIL ADDRESS: \_\_\_\_\_

PRODUCT NAME: \_\_\_\_\_

PRODUCT MODEL#: \_\_\_\_\_

PART NUMBER \_\_\_\_\_

RETAILER WHERE PURCHASED: \_\_\_\_\_

DATE OF PURCHASE: \_\_\_\_\_

ORDER NUMBER: (If Available) \_\_\_\_\_

PO NUMBER ON BOX: (If Available) \_\_\_\_\_

QUANTITY NEEDED: \_\_\_\_\_

SERIAL NUMBER: (On Product Frame) \_\_\_\_\_

## LIMITED WARRANTY

Global Quality Brands® warrants this product to be free from defects in workmanship and materials under normal use and conditions for a period of **90 DAYS FROM THE DATE OF ORIGINAL PURCHASE**. This Limited Warranty is not transferable and is available only for the original purchaser of the Product. The Company's obligation under this warranty is limited to replacing or repairing the Product, at the discretion of the company.

All warranty coverage extends only to the original retail purchaser from the date of purchase. GQBrands obligation under this warranty is limited to replacing or repairing, at Global Quality Brands® option. All products for which a warranty claim is made must be received by Global Quality Brands® and accompanied by sufficient proof of purchase (photocopy of the original store receipt, indicating the date of purchase). All freight and handling fees are the responsibility of the consumer to pay, both to and from Global Quality Brands®. All warranty claims must be pre-authorized by Global Quality Brands® pre-authorization can be obtained by calling 866-498-5269.

This warranty does not cover ordinary wear and tear, weathering, failure to follow directions, improper installation, improper maintenance, or acts of nature, (such as damage caused by wind, lightning, snow, water, or ice) weather damage, damage caused by unauthorized repair work or damage caused by improper use of the products are not covered by the product warranty. No other warranty beyond that specifically set forth above is authorized by GQBrands®.

GLOBAL QUALITY BRANDS® IS NOT RESPONSIBLE OR LIABLE FOR INDIRECT, SPECIAL OR CONSEQUENTIAL DAMAGES ARISING OUT OF OR IN CONNECTION WITH THE USE OR PERFORMANCE OF THE PRODUCT OR OTHER DAMAGES WITH RESPECT TO ANY ECONOMIC LOSS, LOSS OF PROPERTY, LOSS OF REVENUE OR PROFITS, LOSS OF ENJOYMENT OR USE, COST OF REMOVAL, INSTALLATION OR OTHER CONSEQUENTIAL DAMAGES. SOME STATES DO NOT ALLOW THE EXCLUSION OR LIMITATION OF INCIDENTAL OR CONSEQUENTIAL DAMAGES. ACCORDINGLY, THE ABOVE LIMITATION MAY NOT APPLY TO YOU.

THE WARRANTY EXTENDED HEREUNDER IS IN LIEU OF ALL OTHER WARRANTIES AND GLOBAL QUALITY BRANDS®, SPECIFICALLY DISCLAIMS ANY IMPLIED WARRANTY OF MERCHANTABILITY OR FITNESS FOR A PARTICULAR PURPOSE IS LIMITED IN ITS SCOPE AND DURATION TO THE TERMS SET FORTH HEREIN. SOME STATES DO NOT ALLOW LIMITATION ON HOW LONG AN IMPLIED WARRANTY LASTS. ACCORDINGLY, THE ABOVE LIMITATION MAY NOT APPLY TO YOU. THIS WARRANTY GIVES YOU SPECIFIC LEGAL RIGHTS. YOU MAY ALSO HAVE OTHER RIGHTS, WHICH VARY FROM STATE TO STATE.

WHILE EVERY ATTEMPT IS MADE TO ENSURE THE HIGHEST DEGREE OF PROTECTION IN ALL EQUIPMENT, WE CANNOT GUARANTEE FREEDOM OF INJURY. THE USER ASSUMES ALL RISK OF INJURY DUE TO USE. ALL MERCHANDISE IS SOLD ON THIS CONDITION, WHICH NO REPRESENTATIVE OF GQBRANDS® CAN WAIVE OR CHANGE.

# WARNINGS

---



## **ADULT ASSEMBLY REQUIRED** **CHOKING HAZARD - Small Parts** **NOT** for children under 3 years of age.

**Please read these warnings and the information in this manual in its entirety.**

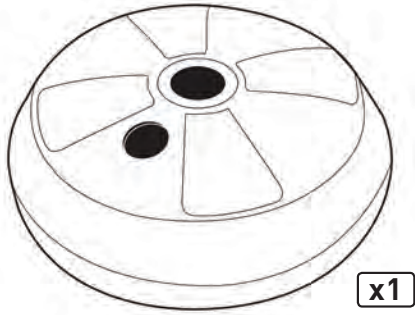
Failure to comply with the following instructions may increase the risk of serious injury and/or death:

---

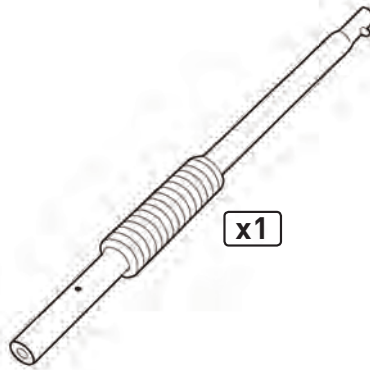
- Adult assembly required.
- Always consult a physician before beginning any exercise regimen.
- It is only recommended for use by children 6+ years of age.
- The product springs back when in use. To avoid injury keep at a safe distance during play.
- Always ensure base is filled with the appropriate weight in sand or water.
- Always moisten needle prior to first inflation, during necessary re-inflation after vigorous use, or after extended period of inactivity.
- Always check the base for stability prior to use.
- Never stand on base.
- Always check for proper bag inflation and secure all nuts and bolts prior to each use.
- Make sure product is assembled correctly prior to initial use.
- Before each use of this product, inspect the entire assembly and replace any worn, defective or missing parts.
- DO NOT allow other persons to sit, stand or lie on the product while in use.
- DO NOT use when under the influence of drugs or medication which may impair judgment and coordination.
- ALWAYS remove jewelry, belt buckles or any other sharp objects before using.
- Ensure the product set is on level ground with a minimum of 5 feet (2.5M) clear space around the sides, and that no obstructions are in the way.
- ALWAYS watch for hazards or obstructions above, around and below the location where you are using this product. Failure to do so can result in serious injury, death, and property damage.
- Always secure against unauthorized and unsupervised use.
- No modification should be carried out to the product or any of its components. Any modification could lead to damage to the product or result in a personal injury.
- Should there be any missing parts, the product must not be used until replacement parts have been fitted.
- The use of gloves to protect your hands from use is highly recommended.
- Always store Hand Pump and needle properly to avoid pinching or cuts.

# PARTS LIST

1- Base



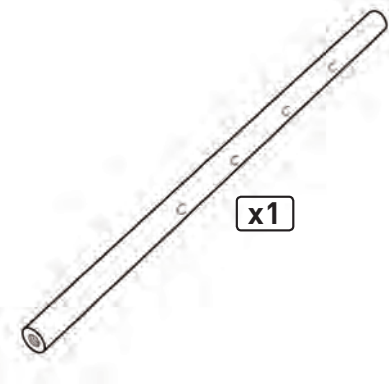
2- Bottom Pole



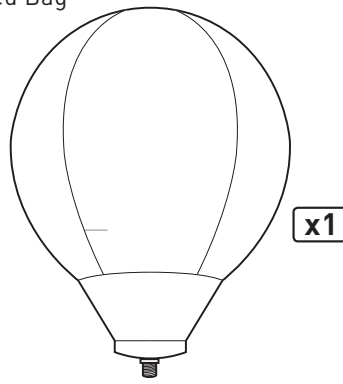
3- Middle Pole



4- Upper Pole



5- Speed Bag



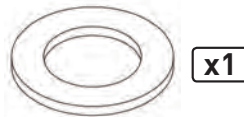
6- Adjustable Knob



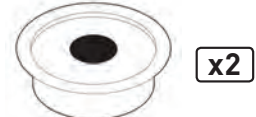
7- Cap



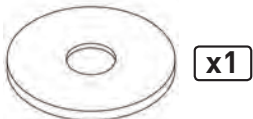
8- Cap Ring



9- Base Cap



10- Washer



11- Spring Washer



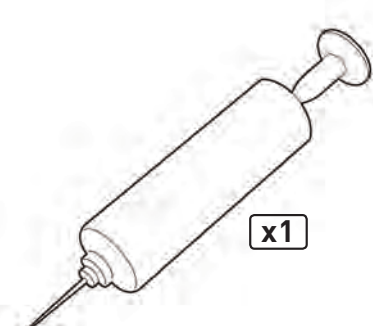
12- Hex Screw



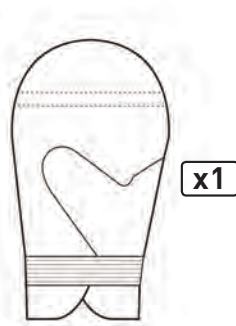
13- Wrench



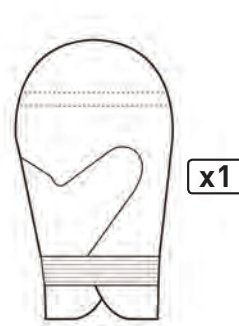
14- Hand Pump



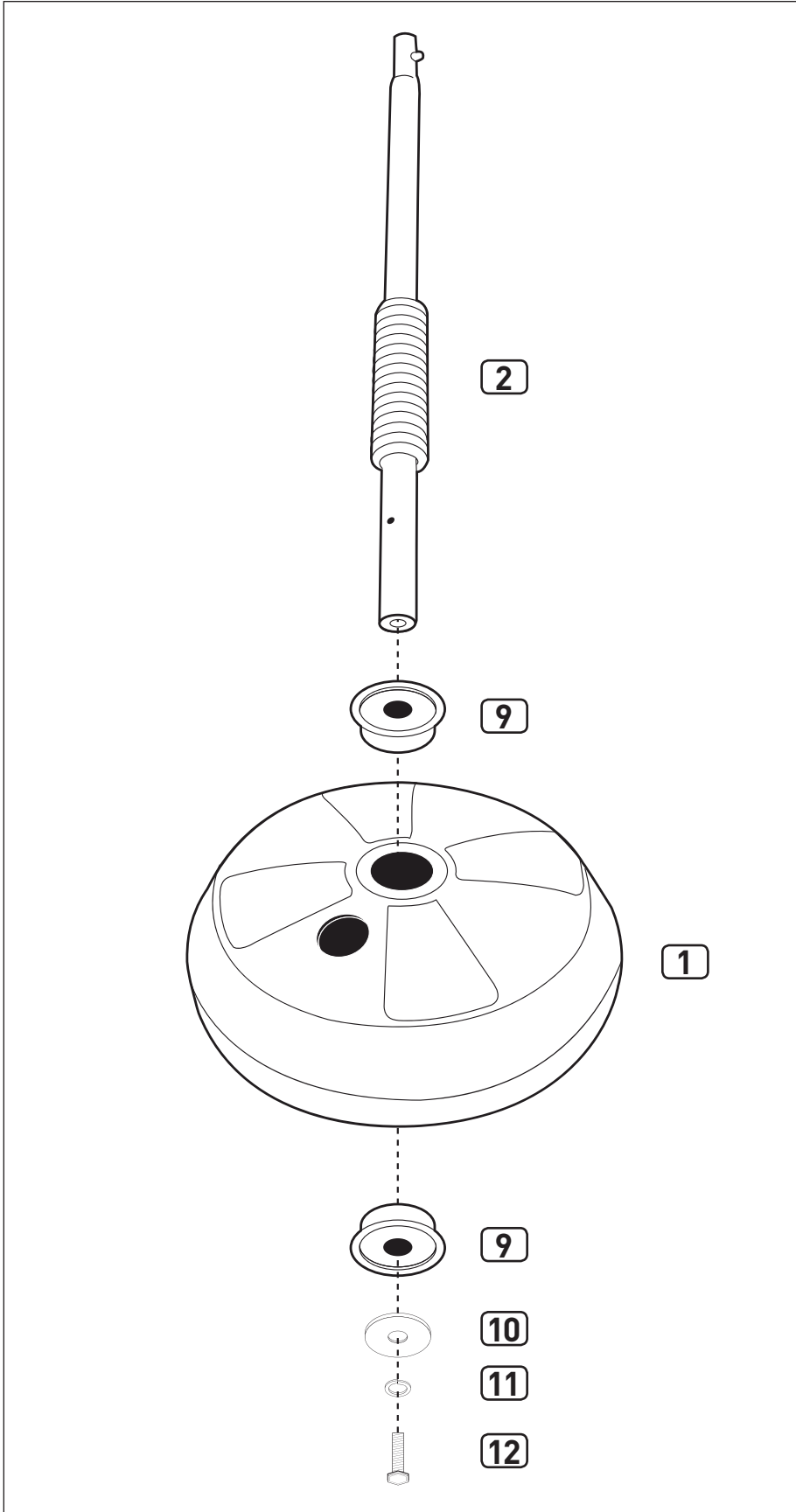
15- Right Glove



16- Left Glove



# ASSEMBLY INSTRUCTIONS



## STEP 1:

### Parts:

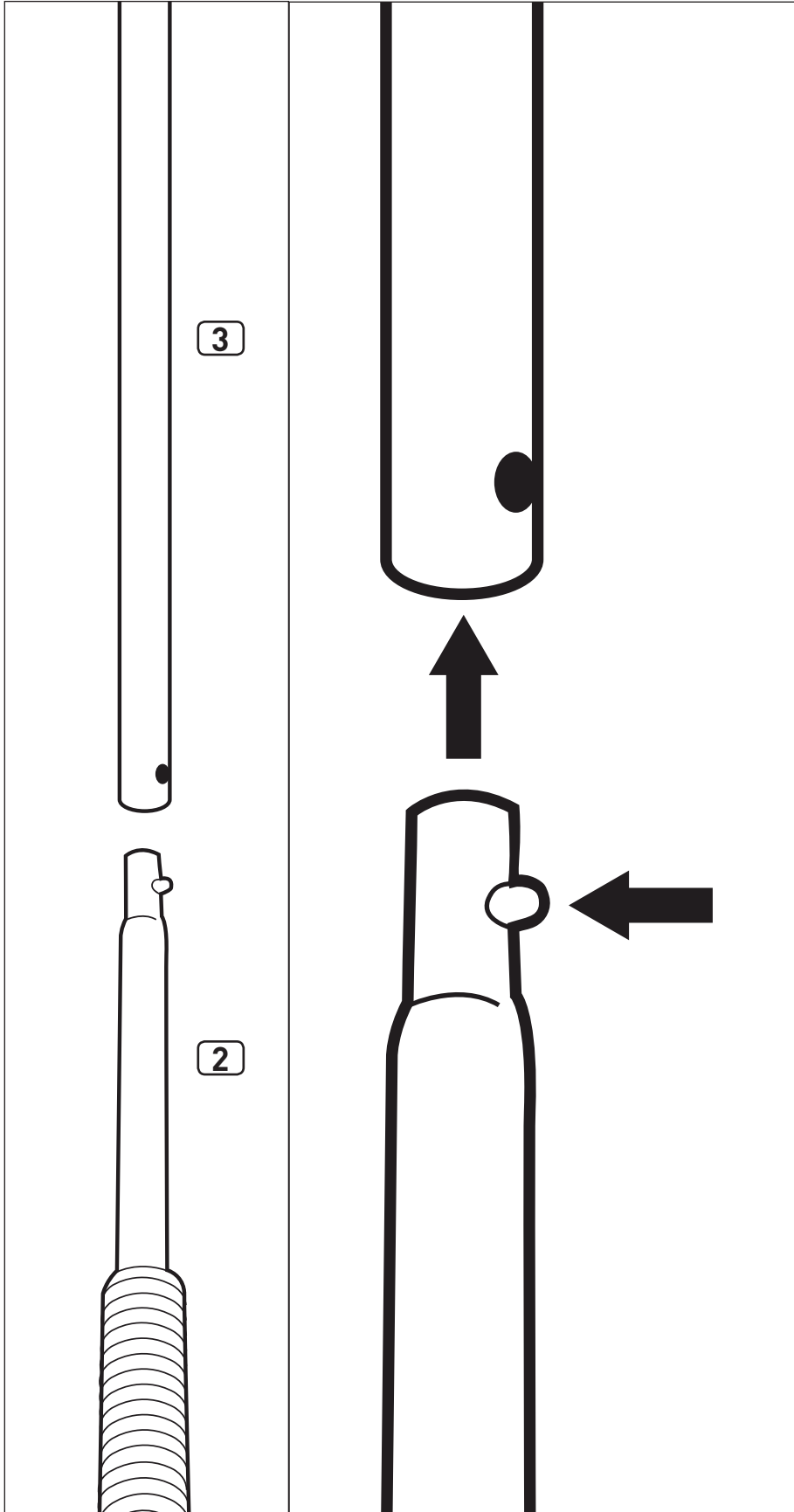
- Part 1 (x1) - Base
- Part 2 (x1) - Bottom Pole
- Part 9 (x2) - Base Cap
- Part 10 (x1) - Washer
- Part 11 (x1) - Spring Washer
- Part 12 (x1) - Screw

Place both Base Caps (2) at the bottom and top middle areas of the Base (1).

On the bottom of the base, place the Washer (10), Spring Washer (11), and Screw (12) and install.

Once the Screw has been installed, place from the top of the base, the Bottom Pole (2) and secure tightly.

# ASSEMBLY INSTRUCTIONS



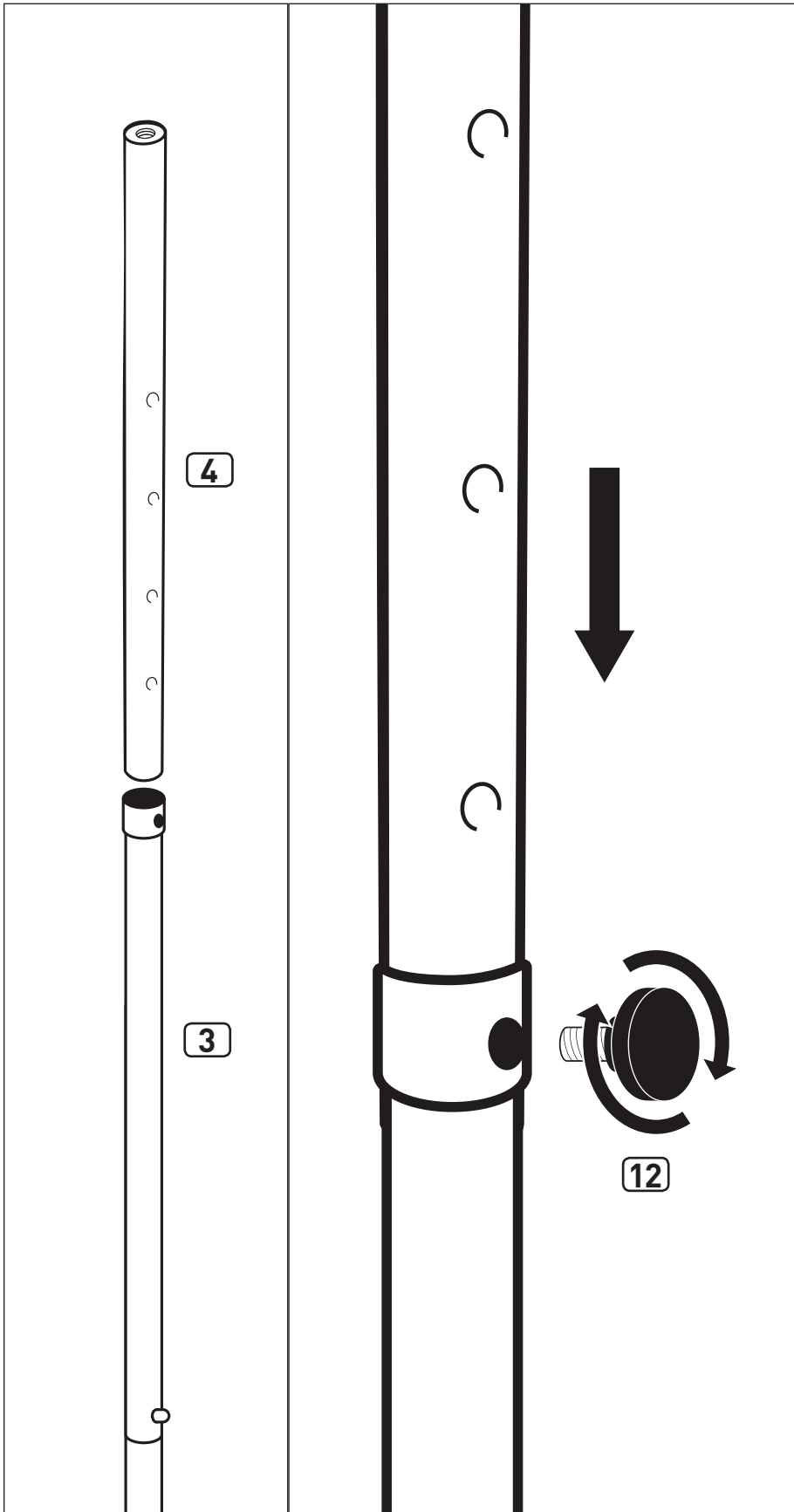
## STEP 2:

### Parts:

Part 3 (x1) -Middle Pole

Using the Snap and Click button on the bottom pole, push down and slide the Middle Pole so it finds the correct opening.

# ASSEMBLY INSTRUCTIONS



## STEP 3:

### Parts:

- Part 4 (x1) - Upper Pole
- Part 12 (x1) - Adjustable Knob

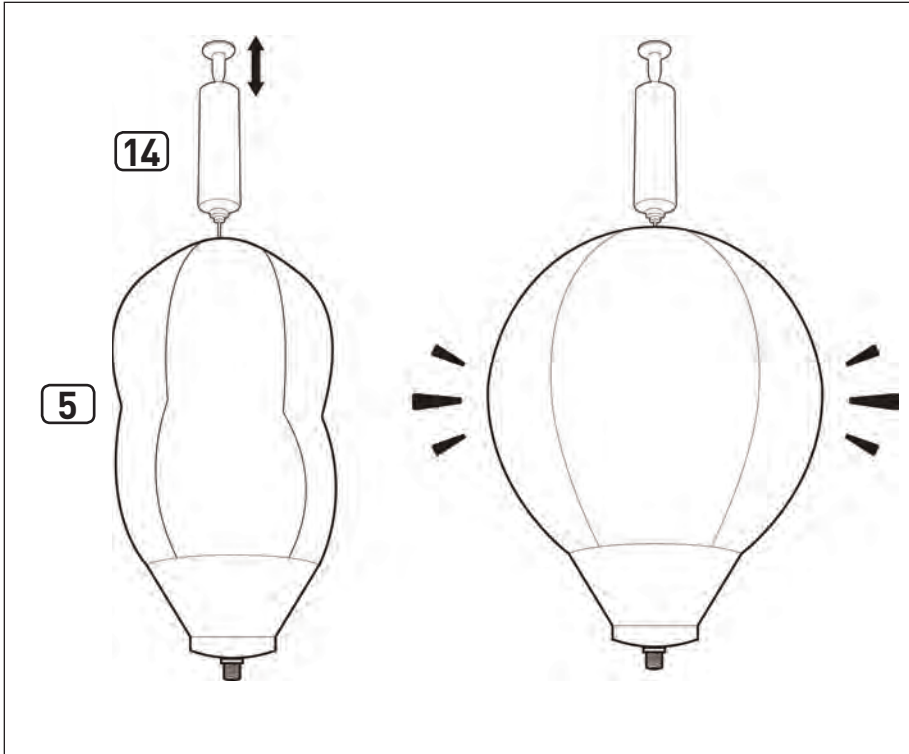
With the smaller opening facing upwards to install the Speed Bag, slide the Upper Pole (4) to the Middle Pole until you find a proper height size.

NOTE: Every indent on the Upper Pole is an appropriate size for the Adjustable Knob to be installed on.

Once the right height has been chosen, secure the Adjustable Knob (12).

NOTE: Failure to secure in an indent can scratch the Upper Pole and/or can cause the pole to slide off the Base.

# ASSEMBLY INSTRUCTIONS



## STEP 4:

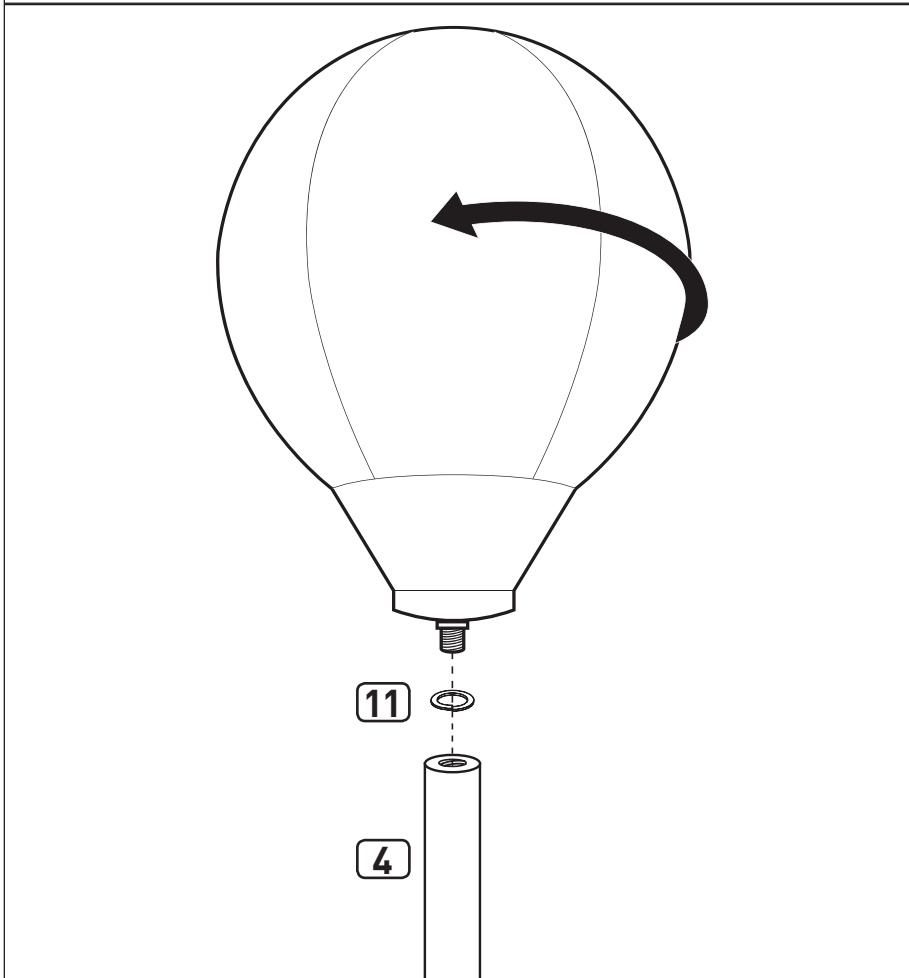
### Parts:

- Part 5 (x1) - Speed Bag
- Part 14 (x1) - Hand Pump

Find the Speed Bag (5) opening on top of it, and inflate with the Hand Pump (14) until the ball is round and safe to punch.

Do not over inflate the Speed Bag, doing so may rupture the Bag and/or may explode during use.

NOTE: The Needle of the Hand Pump can be found and stored away when not in use on the handle itself.



## STEP 5:

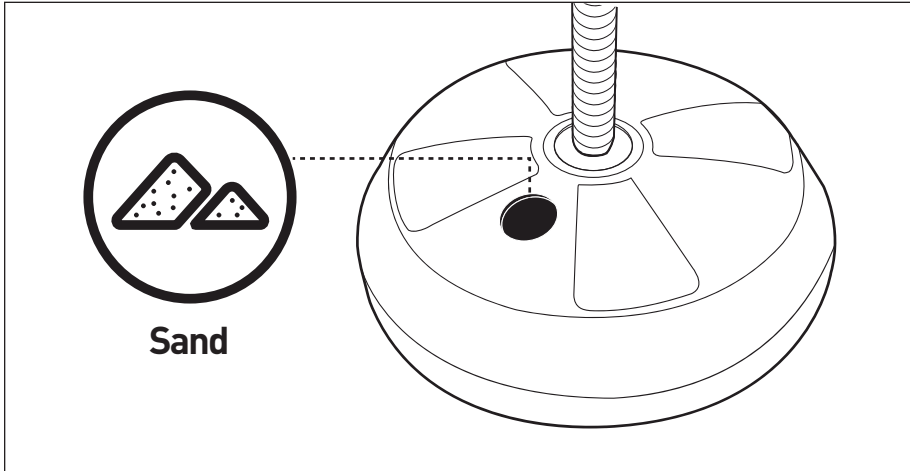
### Parts:

- Part 11 (x1) - Spring Washer

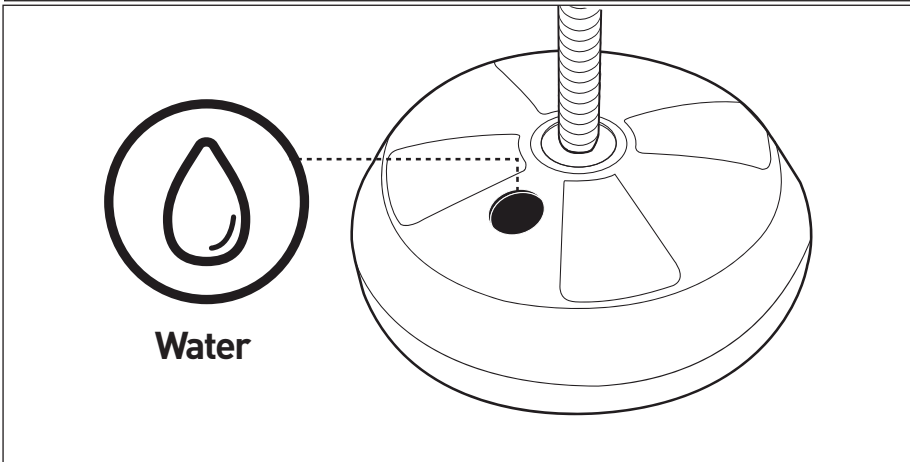
Once Inflated, place a Spring Washer (11) between the Speed Bag and the Upper Pole and twist the Speed Bag clockwise to secure tightly.



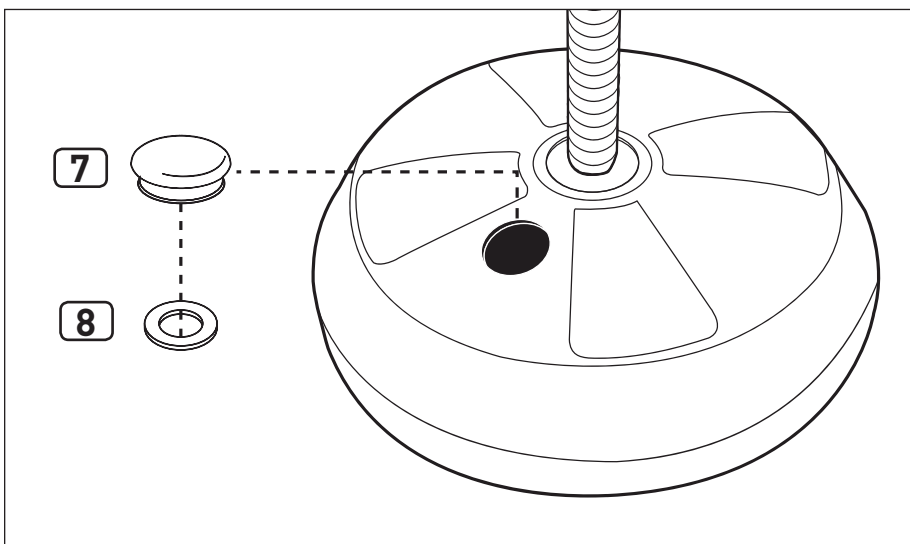
# ASSEMBLY INSTRUCTIONS



Sand



Water



## STEP 6:

It is required that the Base be filled with either sand or water to stabilize and keep it grounded while in use.

Locate the opening to the side of the middle Base Cap on the top part of the Base.

Fill with your preferred weight method.

## STEP 7:

### Parts:

- Part 7 (x1) - Base Cap
- Part 8 (x1) - Cap Ring

Make sure That the Cap Ring (8) is inside the Base Cap (7) to prevent it from bending or releasing from the opening.

Place Base Cap on opening to prevent weight to escape while in use.

# FREQUENTLY ASKED QUESTIONS

---

Question: "Is there any maintenance I need to do for this?"

Answer: Before each use, you should always double check to make sure all your bolts are tight and secure. If any of the conditions are found, tighten bolts and/or secure any adjustable components. If there is any damage, or if the adjustable components do not stay secured, cease use of the unit immediately and secure from further use .

Question: "Something was missing from the packaging," "I need to purchase a replacement part" or "I discovered a damaged piece. What should I do?"

Answer: Contact customer service. You must have your proof of purchase and/or order confirmation available to be considered for warranty replacement. You must report missing pieces within 30 days from the date of purchase.

Question: "How should I clean my the bag?"

Answer: you should clean this equipment a solution of warm water and non-corrosive and/or non-abrasive soap. Dampen a rag with this solution an swipe completely dry before using.

## Thank You Coupon!

As a way of saying thank you for purchasing one of our products, here is a 10% OFF coupon for your next purchase at

**[www.PureFun.net](http://www.PureFun.net)**

Use Code: GQBRANDS10 at Checkout