



# DURA-BOUNCE 15FT TRAMPOLINE SET

MODEL# 9315TS - TRAMPOLINE  
PRODUCT MANUAL - VERSION 03.19.01

FOR AGES:

6+

WEIGHT LIMIT:

350 Lbs  
158 Kgs

TO BUILD:



TOOLS NEEDED:



HOW-TO  
VIDEOS ONLINE



## CUSTOMER SERVICE

GQBrands.com

CustomerService@GQBrands.com

1-866-498-5269

4401 Samuell Blvd, Ste 150, Mesquite, TX 75149

# CUSTOMER SERVICE INFORMATION

---

## Thank you for purchasing: **DURA-BOUNCE 15FT TRAMPOLINE**

MODEL# 9315TS - TRAMPOLINE

**If you have an issue with your item, do not return. Please report items that are damaged or missing parts to the manufacturer GQ Brands within three days of delivery. Contact customer service at customerservice@gqbrands.com or toll-free at 1-866-498-5269**

At GQBrands®, we want all of our customers to be completely satisfied with their purchase. Take time to review the contents of the product you have just received to make sure that all of the parts are included. If you find that any parts are missing or damaged, we will provide replacement parts at no charge within 30 days of purchase. Please keep in mind that for select damaged part replacement requests, we will require a photo for submission.

To order these parts, or if you have any other questions or concerns about this GQBrands product, please contact us at

PureFun.Net  
GQBrands®  
Phone: 1-866-498-5269  
Email: CustomerService@GQBrands.com  
4401 Samuell Blvd, Ste 150,  
Mesquite, TX 75149

*Please be sure to include the following information when you contact Customer Service:*

**YOUR NAME:** \_\_\_\_\_

**YOUR MAILING ADDRESS:** \_\_\_\_\_

**YOUR EMAIL ADDRESS:** \_\_\_\_\_

**PRODUCT NAME:** \_\_\_\_\_

**PRODUCT MODEL#:** \_\_\_\_\_

**PART NUMBER** \_\_\_\_\_

**RETAILER WHERE PURCHASED:** \_\_\_\_\_

**DATE OF PURCHASE:** \_\_\_\_\_

**ORDER NUMBER:** *(If Available)* \_\_\_\_\_

**SERIAL NUMBER:** *(If Available)* \_\_\_\_\_

**QUANTITY NEEDED:** \_\_\_\_\_

**PICTURE OF DAMAGED PART**

## LIMITED WARRANTY

---

Global Quality Brands® warrants this product to be free from defects in workmanship and materials under normal use and conditions for a period of ONE YEAR FROM THE DATE OF ORIGINAL PURCHASE. This Limited Warranty is not transferable and is available only for the original purchaser of the Product. The Company's obligation under this warranty is limited to replacing or repairing the Product, at the discretion of the company.

All warranty coverage extends only to the original retail purchaser from the date of purchase. GQ Brands obligation under this warranty is limited to replacing or repairing, at Global Quality Brands® option. All products for which a warranty claim is made must be received by Global Quality Brands® and accompanied by sufficient proof of purchase (photocopy of the original store receipt, indicating the date of purchase). All freight and handling fees are the responsibility of the consumer to pay, both to and from Global Quality Brands®. All warranty claims must be preauthorized by Global Quality Brands® pre-authorization can be obtained by calling 866-498-5269.

This warranty does not cover ordinary wear and tear, weathering, failure to follow directions, improper installation, improper maintenance, or acts of nature, (such as damage caused by wind, lightning, snow, water, or ice) weather damage, damage caused by unauthorized repair work or damage caused by improper use of the products are not covered by the product warranty. No other warranty beyond that specifically set forth above is authorized by GQBrands®.

GLOBAL QUALITY BRANDS® IS NOT RESPONSIBLE OR LIABLE FOR INDIRECT, SPECIAL OR CONSEQUENTIAL DAMAGES ARISING OUT OF OR IN CONNECTION WITH THE USE OR PERFORMANCE OF THE PRODUCT OR OTHER DAMAGES WITH RESPECT TO ANY ECONOMIC LOSS, LOSS OF PROPERTY, LOSS OF REVENUE OR PROFITS, LOSS OF ENJOYMENT OR USE, COST OF REMOVAL, INSTALLATION OR OTHER CONSEQUENTIAL DAMAGES. SOME STATES DO NOT ALLOW THE EXCLUSION OR LIMITATION OF INCIDENTAL OR CONSEQUENTIAL DAMAGES. ACCORDINGLY,

THE ABOVE LIMITATION MAY NOT APPLY TO YOU. THE WARRANTY EXTENDED HEREUNDER IS IN LIEU OF ALL OTHER WARRANTIES AND GLOBAL QUALITY BRANDS®, SPECIFICALLY DISCLAIMS ANY IMPLIED WARRANTY OF MERCHANTABILITY OR FITNESS FOR A PARTICULAR PURPOSE IS LIMITED IN ITS SCOPE AND DURATION TO THE TERMS SET FORTH HEREIN. SOME STATES DO NOT ALLOW LIMITATION ON HOW LONG AN IMPLIED WARRANTY LASTS. ACCORDINGLY, THE ABOVE LIMITATION MAY NO APPLY TO YOU. THIS WARRANTY GIVES YOU SPECIFIC LEGAL RIGHTS. YOU MAY ALSO HAVE OTHER RIGHTS, WHICH VARY FROM STATE TO STATE.

WHILE EVERY ATTEMPT IS MADE TO ENSURE THE HIGHEST DEGREE OF PROTECTION IN ALL EQUIPMENT, WE CANNOT GUARANTEE FREEDOM OF INJURY. THE USER ASSUMES ALL RISK OF INJURY DUE TO USE. ALL MERCHANDISE IS SOLD ON THIS CONDITION, WHICH NO REPRESENTATIVE OF GQBRANDS® CAN WAIVE OR CHANGE.

# WARNINGS



## **ADULT ASSEMBLY REQUIRED** **CHOKING HAZARD - Small Parts** **NOT for children under 3 years of age.**

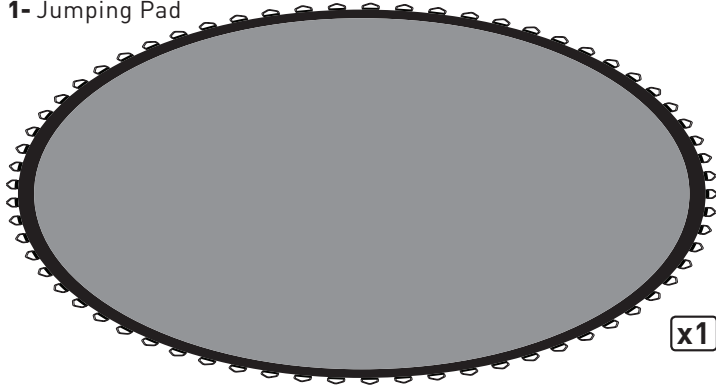
**Please read these warnings and the information in this manual in its entirety.**

Failure to comply with the following instructions may increase the risk of serious injury and/or death:

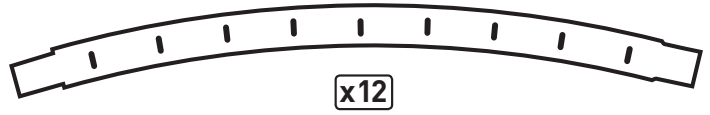
- It is essential that the intended site for this trampoline is completely flat and level. If the ground is not level this will cause movement in the frame and could cause stress on the joined sections.
  - Before each use of this product, inspect the entire assembly and replace any worn, defective or missing parts.
  - It is only recommended for use by children 6+ years of age.
  - DO NOT exceed the recommended MAXIMUM WEIGHT limit of 350lbs (158kgs).
  - DO NOT wear glasses or helmets when using the trampoline.
  - DO NOT use the trampoline in wet, windy or other adverse weather conditions. Use only when the trampoline mat is clean, dry, and safe of obstructions.
  - ALWAYS jump in the center of the trampoline mat.
  - DO NOT use the trampoline as a springboard to or from other objects. NEVER jump from or attempt to jump to other objects, bodies of water, buildings or surfaces, or into or over the trampoline enclosure.
  - DO NOT allow other persons to go under, sit, stand or lie on the trampoline or the frame pads while the trampoline is in use.
  - DO NOT use the trampoline set when under the influence of alcohol, drugs or medication which may impair the jumper's judgment and coordination.
  - ALWAYS remove jewelry, belt buckles or any other sharp objects before using the trampoline.
  - ALWAYS secure the trampoline against unauthorized and unsupervised use.
  - NEVER wear footwear (e.g. shoes) when using the trampoline. ALWAYS wear socks when using the trampoline.
  - Children MUST NEVER use the trampoline unless supervised by a responsible adult with knowledge of trampoline use.
  - Ensure the trampoline set is on level ground with a minimum of 8 feet (2.5M) clear space around the sides, 26 feet (8M) clear height space above and that no obstructions are under the trampoline.
  - ALWAYS watch for power lines, overhead cabling, and other hazards or obstructions above, around and below the location where you are installing your trampoline set. Failure to do so can result in serious injury, death, and property damage.
  - Children should be assisted when entering and exiting the trampoline to reduce the risk of falling.
  - The frame of your trampoline set is made of steel and it will conduct electricity. No electrical equipment (lights, heaters, etc.) should be permitted on or around the trampoline under any circumstance.
  - DO NOT allow more than one (1) person on the trampoline at a time. Jumpers may collide with one another, fall off the trampoline, fall on or through the springs or land incorrectly on the mat. Multiple jumpers increase the chances of loss of control, collision and falling off. This can result in severe injury or death.
  - Always secure the trampoline against unauthorized and unsupervised use.
- IMPORTANT:**
- You must not use the trampoline if you have a medical history of neck or back injuries or certain mental or physical conditions – an existing condition dramatically increases the risk of serious injury or death.
  - No modification should be carried out to the trampoline or any of its components. Any modification could lead to damage to the product or result in a personal injury.
  - Should there be any missing parts, the trampoline must not be used until replacement parts have been fitted.
  - The frame pad should always be fitted properly, fully covering the trampoline frame and springs.
  - The use of gloves to protect your hands from pinch points during assembly is also strongly recommended.
- WEATHER CONDITIONS:**
- Special care should be taken as weather conditions change. In particular, a wet trampoline mat (bed) is too slippery for safe jumping.
- Gusty or severe winds can cause jumpers to lose control. To reduce the chance of injury, use the trampoline only under appropriate weather conditions.
- In cold weather, tongues and lips can stick to metal at sub zero temperatures. In warmer and sunnier weather, parts can become extremely hot, and the temperature should be regularly checked during play, especially metal parts.
- HIGH WINDS:**
- If you anticipate high winds, the Trampoline must be moved to a sheltered location, or be disassembled. GQBrands is not responsible for any damage to property or product resulting from wind or extreme weather.

# PARTS LIST

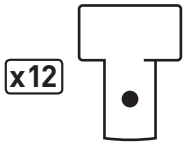
1- Jumping Pad



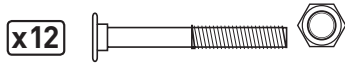
2- Curved Top Rail



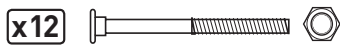
3- T-Section



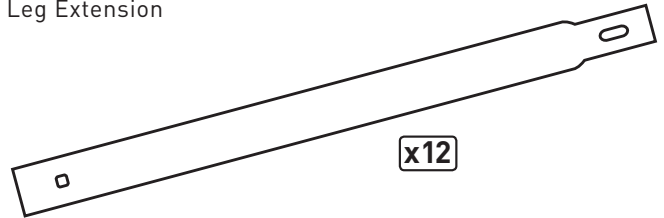
4- M8 Bolt & Nut



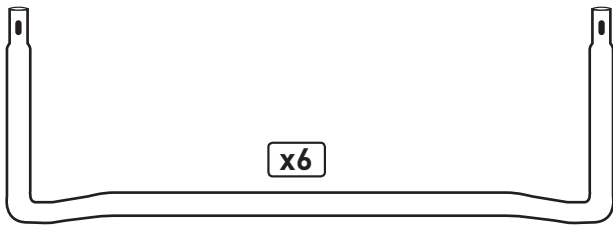
5- M6 Bolt & Nut



6- Leg Extension



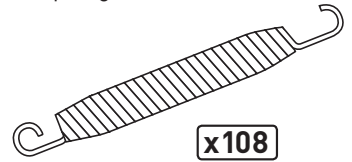
7- U-Shaped Leg



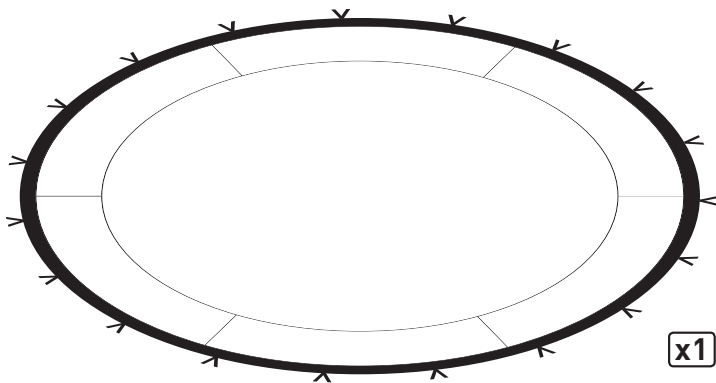
8- Screw



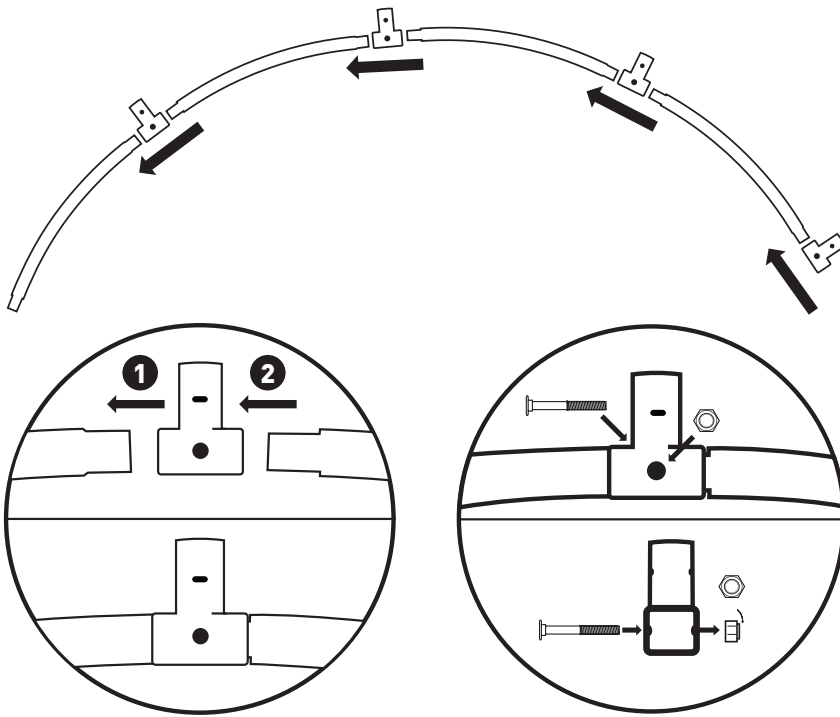
9- Spring



10- Frame Pad



# ASSEMBLY INSTRUCTIONS

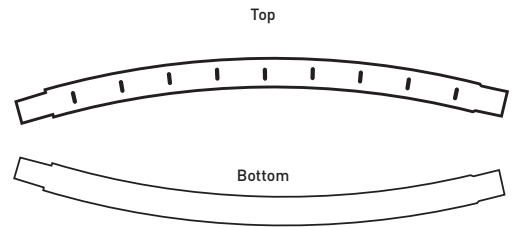


## STEP 1:

Gather all 12 Curved Top Rails (Part 2), flip them over so the spring holes are touching the floor. Separate them into 3 groups of 4 Top Rails. Make sure to place them all on a flat and secure surface before you begin.

## NOTE:

The Curved Top Rail has 8 spring holes in the top section. The bottom should be smooth.



Connect both ends of the Top Rail by attaching to the T-Section (Part 3)

## STEP 2:

Secure all 3 parts by screwing M8 Bolt (Part 4) with the Nut facing toward the center of the trampoline.

## STEP 3:

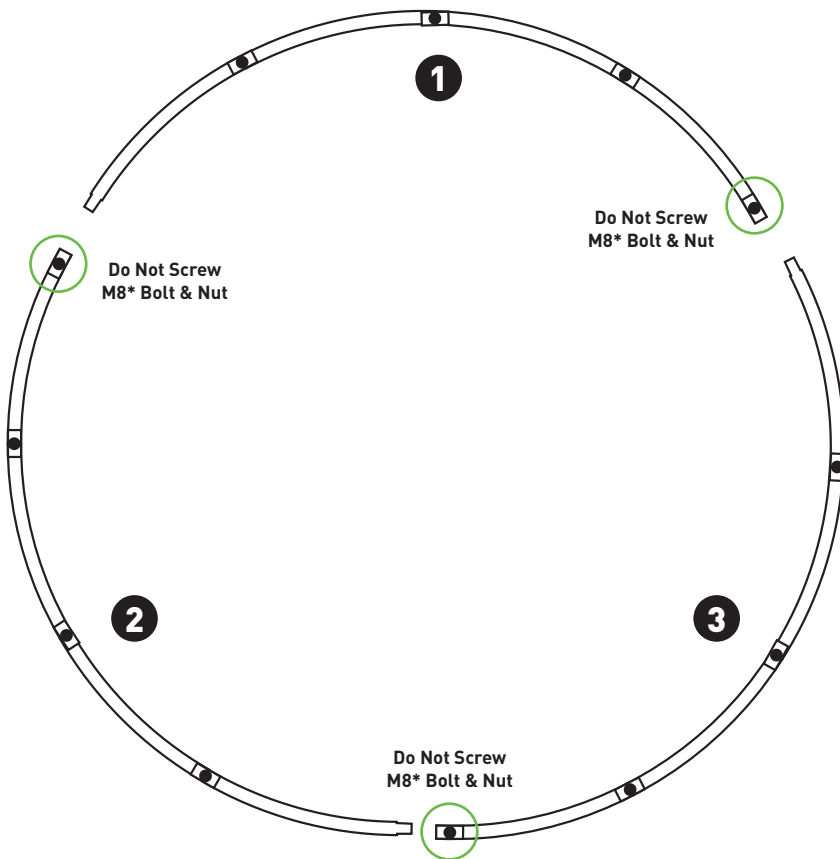
Once you have created 3 groups, place them on a safe and flat floor as shown.

## NOTE:

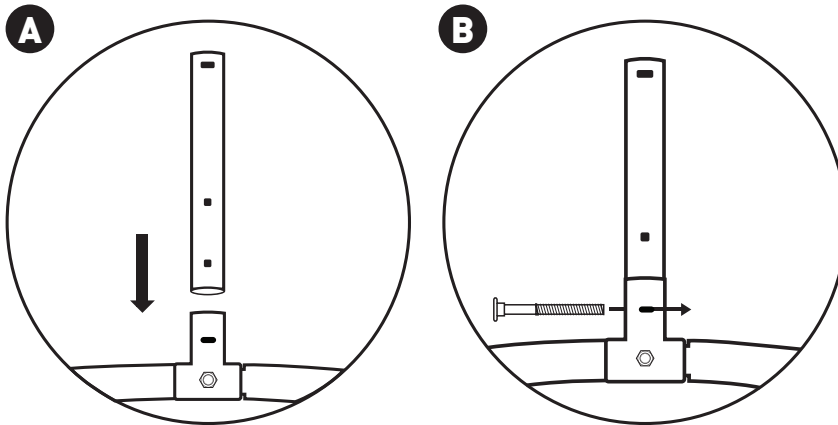
Openings on the top rail must remain facing the floor until Step 7 when you are ready to flip them over.

## NOTE:

Do not screw in M8\* Bolt and Nut on the T-Section until Step 7, this will allow you to insert all 3 groups together once the U-Shaped Legs are installed.



# ASSEMBLY INSTRUCTIONS



## STEP 4:

A. Gather all Leg Extensions (Part 6) and begin inserting them into the T-Sections

## NOTE:

The Leg Extension will have 3 openings. The 2 square openings closest to each other, will go inside the T-Section. Make sure that wider section is facing the center of the trampoline.

B. Use M6 Bolt & Nut (Part 5) to install the Leg Extensions to the body of the T-Section



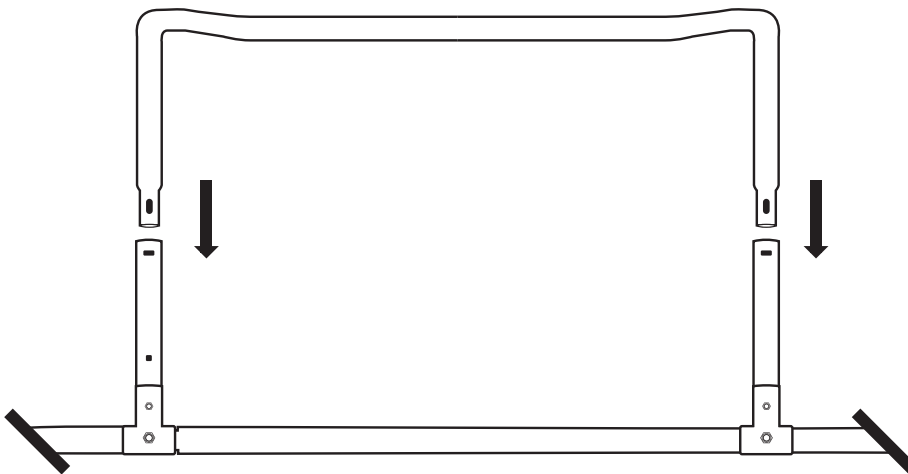
## IMPORTANT MESSAGE

**WARNING - PLEASE READ**

If you are installing the Pure Fun 15FT Trampoline Enclosure (Model# 9315E) We recommend you install M6 (Part 5) loosely until you start the Owners Manual of the enclosure.

The bolt and nut will keep the trampoline attached safely until you finish installing it completely.

Once the trampoline is finished, the Bolt and screw will have to be removed in order to install the parts for the enclosure pole.

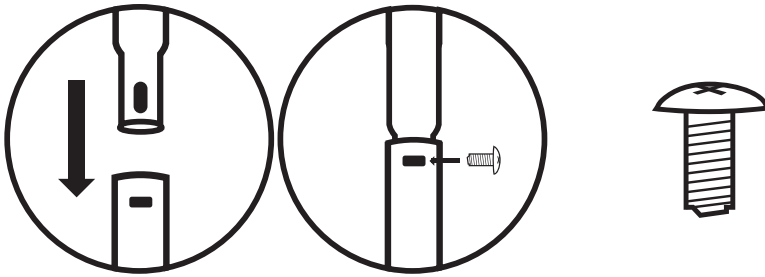


## STEP 5:

Place the U-Shaped Legs (Part 7) on top of the extensions while keeping the openings facing the center of the trampoline.

If Step 4 has been followed correctly, you will be able to see both openings from the Leg Extension and U-Shaped Legs.

# ASSEMBLY INSTRUCTIONS

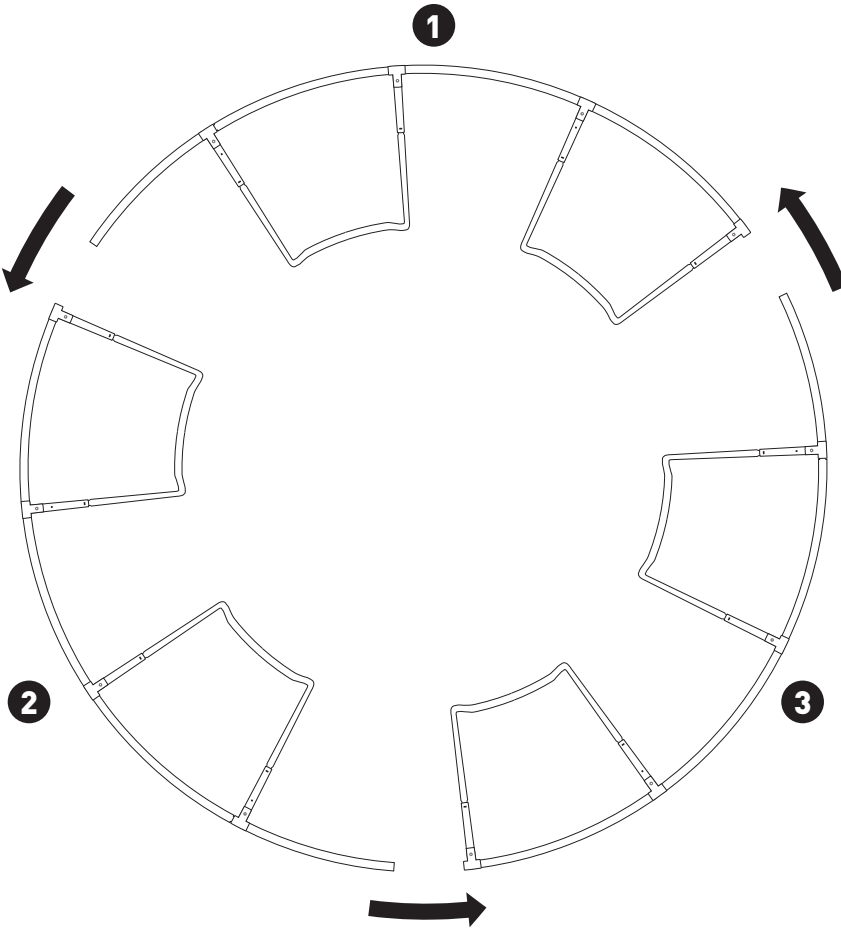


## STEP 6:

Use the Screw (Part 8) with a Phillips screwdriver to secure the Leg Extension to the U Shaped Leg.

## NOTE:

It is recommended to use a powered screwdriver to accomplish this task safely.



## STEP 7:

Once all 3 groups have been successfully completed, flip them over so they may stand.

You may start connecting all ends to one another in order to complete the frame.

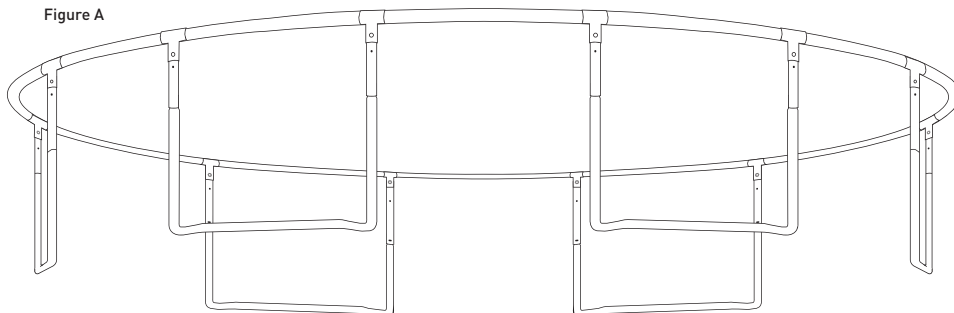
## NOTE:

It is recommended that you use the help of 2 more adults in order to attach all groups together. The tension from the Top Rails might be too strong for one person to do by themselves.

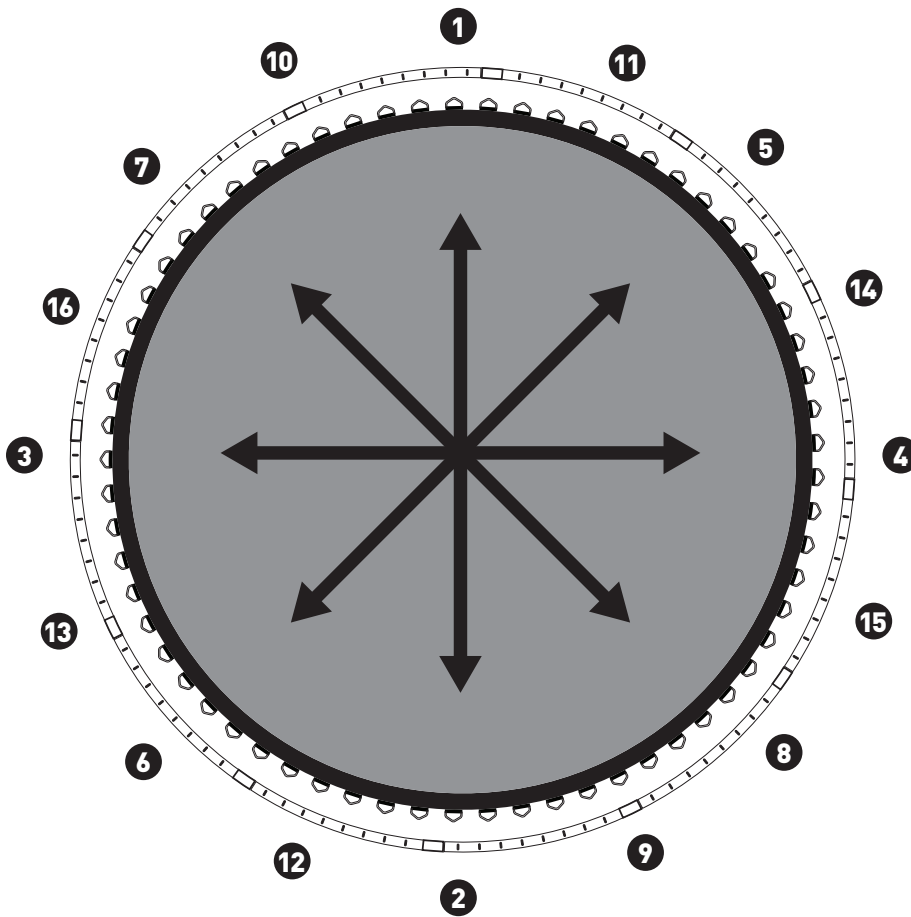
Secure all 3 remaining T-Sections parts by screwing M8 Bolt (Part 4) with the Nuts facing toward the center of the trampoline.

The Frame of the trampoline should look like the illustration shown in Figure A

Figure A



# ASSEMBLY INSTRUCTIONS



## STEP 8:

Place the Jumping Mat (Part 1) in the middle of the frame and unfold it completely.

## NOTE:

Make sure the stitching of the Jumping mat is facing the floor

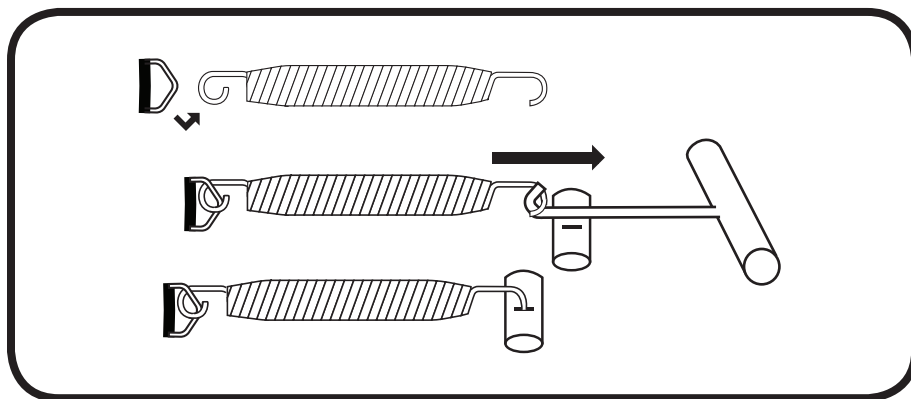
In order to avoid ripping and to distribute tension when attaching springs to the frame, follow the numbered order shown.

Once a spring is attached to the Jumping mat, you must attach the other in the opposite direction of the mat.

Once the first 16 Springs (Part 9) have been placed, Attach all remaining Springs using the T-Hook that was provided clockwise.

## NOTE:

Failure to use appropriate tools may result in injury or pinching due to tension of the springs. We recommend you use gloves when attaching springs to the frame.

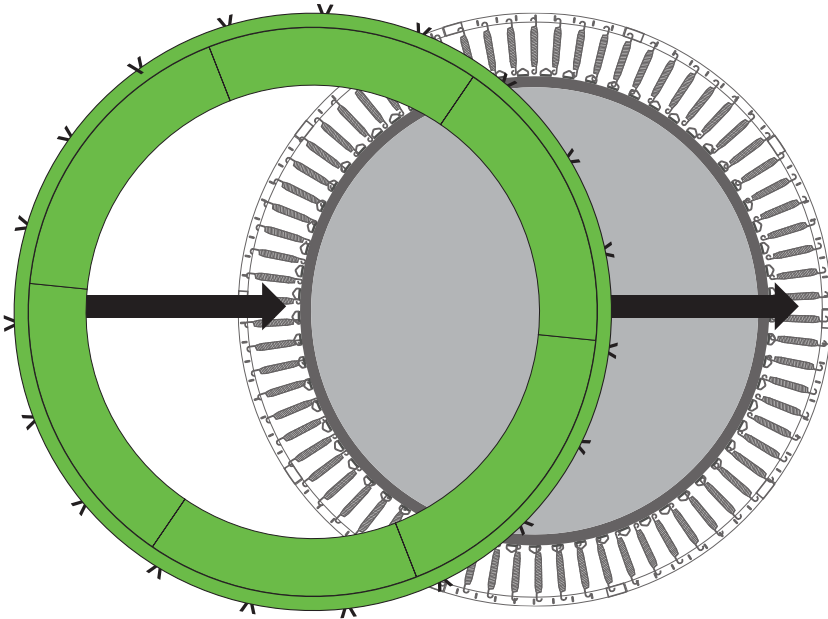


## HOW TO USE T-HOOK:

In order to insert the spring properly, hook the curved end to the V-ring of the jumping Mat. Then, pull on the Long Round end with the T-Hook until it is attached on one of the corresponding openings of the Top Rail.



# ASSEMBLY INSTRUCTIONS

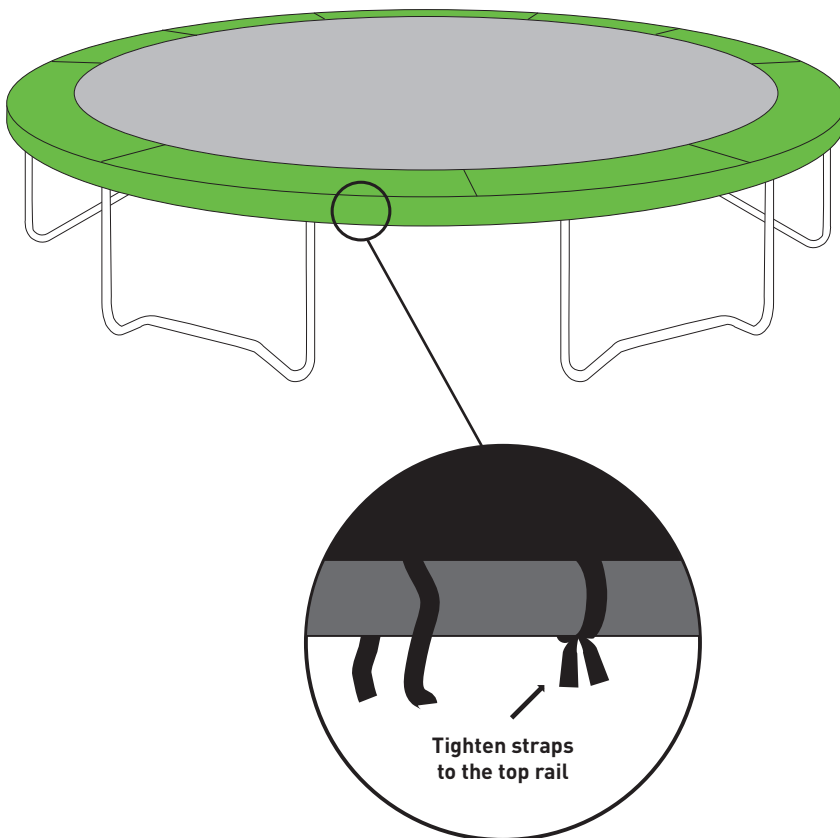


## STEP 9:

Unfold the Frame Pad (Part 10) and place it on top of the Top Rail and springs. The skirt of the Frame Pad must cover the Top Rails completely to avoid injury.

## NOTE:

Make sure the connecting straps are facing the Top Rails in order to secure the Frame Pad to them in Step 10.



## STEP 10:

Find all the bottom connecting straps of the trampoline frame pad and secure them by tying them in a not on to the top rails to avoid moving or shuffling when jumping on the trampoline.





# DURA-BOUNCE 15FT TRAMPOLINE ENCLOSURE

MODEL# 9315TS - ENCLOSURE  
PRODUCT MANUAL - VERSION 05.17.01

FOR AGES:

6+

WEIGHT LIMIT:

N/A

TO BUILD:



TOOLS NEEDED:



**HOW-TO**  
VIDEOS ONLINE



## CUSTOMER SERVICE

GQBrands.com

CustomerService@GQBrands.com

1-866-498-5269

4401 Samuell Blvd, Ste 150, Mesquite, TX 75149

# CUSTOMER SERVICE INFORMATION

---

## Thank you for purchasing: **DURA-BOUNCE 15FT TRAMPOLINE ENCLOSURE**

MODEL# 9315TS - ENCLOSURE

At GQBrands®, we want all of our customers to be completely satisfied with their purchase. Take time to review the contents of the product you have just received to make sure that all of the parts are included. If you find that any parts are missing or damaged, we will provide replacement parts at no charge within 30 days of purchase.

Please keep in mind that for select damaged part replacement requests, we will require a photo for submission.

To order these parts, or if you have any other questions or concerns about this GQBrands product, please contact us at

PureFun.Net  
GQBrands®  
Phone: 1-866-498-5269  
Email: CustomerService@GQBrands.com  
4401 Samuell Blvd, Ste 150,  
Mesquite, TX 75149

---

*Please be sure to include the following information when you contact Customer Service:*

**YOUR NAME:** \_\_\_\_\_

**YOUR MAILING ADDRESS:** \_\_\_\_\_

**YOUR EMAIL ADDRESS:** \_\_\_\_\_

**PRODUCT NAME:** \_\_\_\_\_

**PRODUCT MODEL#:** \_\_\_\_\_

**PART NUMBER** \_\_\_\_\_

**RETAILER WHERE PURCHASED:** \_\_\_\_\_

**DATE OF PURCHASE:** \_\_\_\_\_

**ORDER NUMBER:** *(If Available)* \_\_\_\_\_

**SERIAL NUMBER:** *(If Available)* \_\_\_\_\_

**QUANTITY NEEDED:** \_\_\_\_\_

**PICTURE OF DAMAGED PART**

## LIMITED WARRANTY

---

Global Quality Brands® warrants this product to be free from defects in workmanship and materials under normal use and conditions for a period of ONE YEAR FROM THE DATE OF ORIGINAL PURCHASE. This Limited Warranty is not transferable and is available only for the original purchaser of the Product. The Company's obligation under this warranty is limited to replacing or repairing the Product, at the discretion of the company.

All warranty coverage extends only to the original retail purchaser from the date of purchase. GQBrands obligation under this warranty is limited to replacing or repairing, at Global Quality Brands® option. All products for which a warranty claim is made must be received by Global Quality Brands® and accompanied by sufficient proof of purchase (photocopy of the original store receipt, indicating the date of purchase). All freight and handling fees are the responsibility of the consumer to pay, both to and from Global Quality Brands®. All warranty claims must be preauthorized by Global Quality Brands® pre-authorization can be obtained by calling 866-498-5269.

This warranty does not cover ordinary wear and tear, weathering, failure to follow directions, improper installation, improper maintenance, or acts of nature, (such as damage caused by wind, lightning, snow, water, or ice) weather damage, damage caused by unauthorized repair work or damage caused by improper use of the products are not covered by the product warranty. No other warranty beyond that specifically set forth above is authorized by GQBrands®.

GLOBAL QUALITY BRANDS® IS NOT RESPONSIBLE OR LIABLE FOR INDIRECT, SPECIAL OR CONSEQUENTIAL DAMAGES ARISING OUT OF OR IN CONNECTION WITH THE USE OR PERFORMANCE OF THE PRODUCT OR OTHER DAMAGES WITH RESPECT TO ANY ECONOMIC LOSS, LOSS OF PROPERTY, LOSS OF REVENUE OR PROFITS, LOSS OF ENJOYMENT OR USE, COST OF REMOVAL, INSTALLATION OR OTHER CONSEQUENTIAL DAMAGES. SOME STATES DO NOT ALLOW THE EXCLUSION OR LIMITATION OF INCIDENTAL OR CONSEQUENTIAL DAMAGES. ACCORDINGLY,

THE ABOVE LIMITATION MAY NOT APPLY TO YOU. THE WARRANTY EXTENDED HEREUNDER IS IN LIEU OF ALL OTHER WARRANTIES AND GLOBAL QUALITY BRANDS®, SPECIFICALLY DISCLAIMS ANY IMPLIED WARRANTY OF MERCHANTABILITY OR FITNESS FOR A PARTICULAR PURPOSE IS LIMITED IN ITS SCOPE AND DURATION TO THE TERMS SET FORTH HEREIN. SOME STATES DO NOT ALLOW LIMITATION ON HOW LONG AN IMPLIED WARRANTY LASTS. ACCORDINGLY, THE ABOVE LIMITATION MAY NO APPLY TO YOU. THIS WARRANTY GIVES YOU SPECIFIC LEGAL RIGHTS. YOU MAY ALSO HAVE OTHER RIGHTS, WHICH VARY FROM STATE TO STATE.

WHILE EVERY ATTEMPT IS MADE TO ENSURE THE HIGHEST DEGREE OF PROTECTION IN ALL EQUIPMENT, WE CANNOT GUARANTEE FREEDOM OF INJURY. THE USER ASSUMES ALL RISK OF INJURY DUE TO USE. ALL MERCHANDISE IS SOLD ON THIS CONDITION, WHICH NO REPRESENTATIVE OF GQBRANDS® CAN WAIVE OR CHANGE.

# ⚠ WARNINGS



## **ADULT ASSEMBLY REQUIRED** **CHOKING HAZARD - Small Parts** **NOT for children under 3 years of age.**

**Please read these warnings and the information in this manual in its entirety.**

Failure to comply with the following instructions may increase the risk of serious injury and/or death:

- Ensure the trampoline has been assembled correctly, per the instructions in the manual.
- It is essential that the intended site for this trampoline is completely flat and level. If the ground is not level this will cause movement in the frame and could cause stress on the joined sections.
- Before each use of this product, inspect the entire assembly and replace any worn, defective or missing parts.
- It is only recommended for use by children 6+ years of age.
- DO NOT exceed the recommended MAXIMUM WEIGHT limit of 350lbs (158kgs).
- DO NOT allow more than one person on the trampoline at a time.
- DO NOT wear glasses or helmets when using the trampoline.
- DO NOT use the trampoline in wet, windy or other adverse weather conditions. Use only when the trampoline mat is clean, dry, and safe of obstructions.
- DO NOT somersault or perform flips. This can cause serious injury, resulting in paralysis or death.
- DO NOT use the trampoline as a springboard to or from other objects. NEVER jump from or attempt to jump to other objects, bodies of water, buildings or surfaces, or into or over the trampoline enclosure.
- DO NOT allow other persons to go under, sit, stand or lie on the trampoline or the frame pads while the trampoline is in use.
- DO NOT use the trampoline set when under the influence of alcohol, drugs or medication which may impair the jumper's judgment and coordination.
- ALWAYS remove jewelry, belt buckles or any other sharp objects before using the trampoline.
- ALWAYS jump in the center of the trampoline mat.
- ALWAYS secure the trampoline against unauthorized and unsupervised use.
- NEVER wear footwear (e.g. shoes) when using the trampoline. ALWAYS wear socks when using the trampoline.
- Children MUST NEVER use the trampoline unless supervised by a responsible adult with knowledge of trampoline use. Children MUST NEVER be left unattended at any time.
- Ensure the trampoline set is on level ground with a minimum of 8 feet (2.5M) clear space around the sides, 26 feet (8M) clear height space above and that no obstructions are under the trampoline.
- ALWAYS watch for power lines, overhead cabling, and other hazards or obstructions above, around and below the location where you are installing your trampoline set. Failure to do so can result in serious injury, death, and property damage.
- Mount and dismount from the trampoline and enclosure with care as injury may result. Children should be assisted when entering and exiting the trampoline to reduce the risk of falling.
- The frame of your trampoline set is made of steel and it will conduct electricity. No electrical equipment (lights, heaters, etc.) should be permitted on or around the trampoline under any circumstance.
- Please read and refer to other warnings and use information in the trampoline instructions before use.
- Dispose of all packaging materials safely and per local ordinance. This Safety
- Net and Enclosure is ONLY intended to help prevent accidental falls from the trampoline mat/bed.
- This Enclosure is designed and made for family domestic use only by people 6 years and older. It is not a rebounding device. It is designed only to assist in controlling entry to the trampoline and allowing trampoline jumpers to gain confidence, balance, coordination and agility by providing the added safety of an enclosed jumping area.
- Never use an Enclosure for anything other than its intended purpose.
- It is the responsibility of the supervisor(s) of trampoline and Safety Net users to provide knowledgeable and mature supervision. They need to know and enforce all the rules and warnings set forth in both the trampoline and Safety Net manual in order to minimize the likelihood of accidents and injuries and to inform users of these rules.
- During periods of time when supervision is unavailable or inadequate, this may require that the Trampoline and Safety Enclosure be disassembled, placed in a secure area, or otherwise secured against unauthorized use. It is the responsibility of the supervisor(s) to be sure that the users are fully aware of the safety guidelines.

# PARTS LIST

---

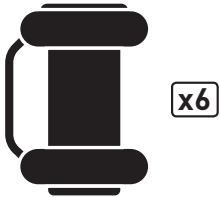
1- Straight Enclosure Pole



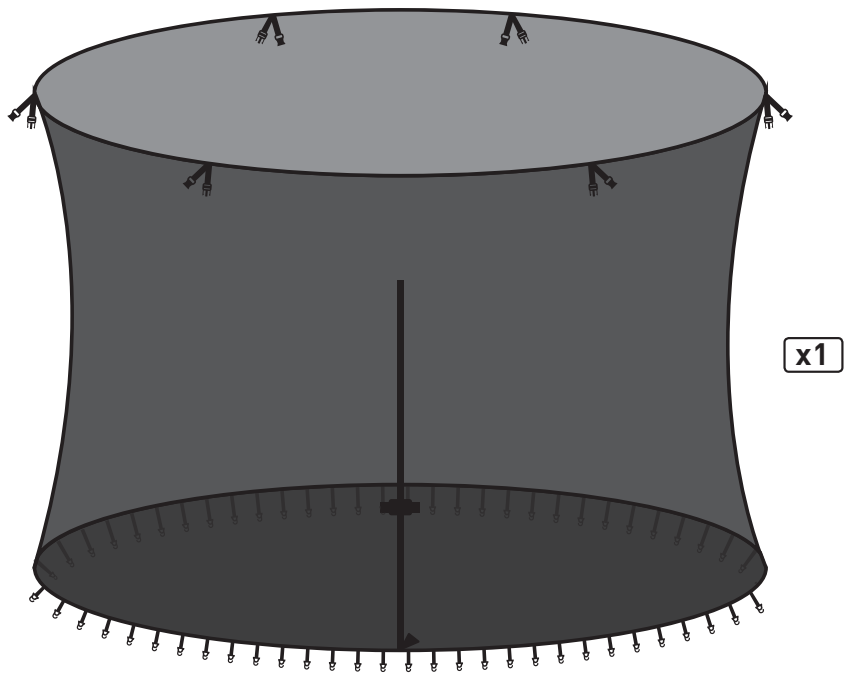
2- Curved Enclosure Pole



3- Enclosure Pole Cap



9- Enclosure



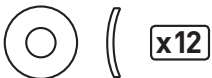
4- Screw



5- Thick Curved Plastic Washer



6- Washer



7- Nut

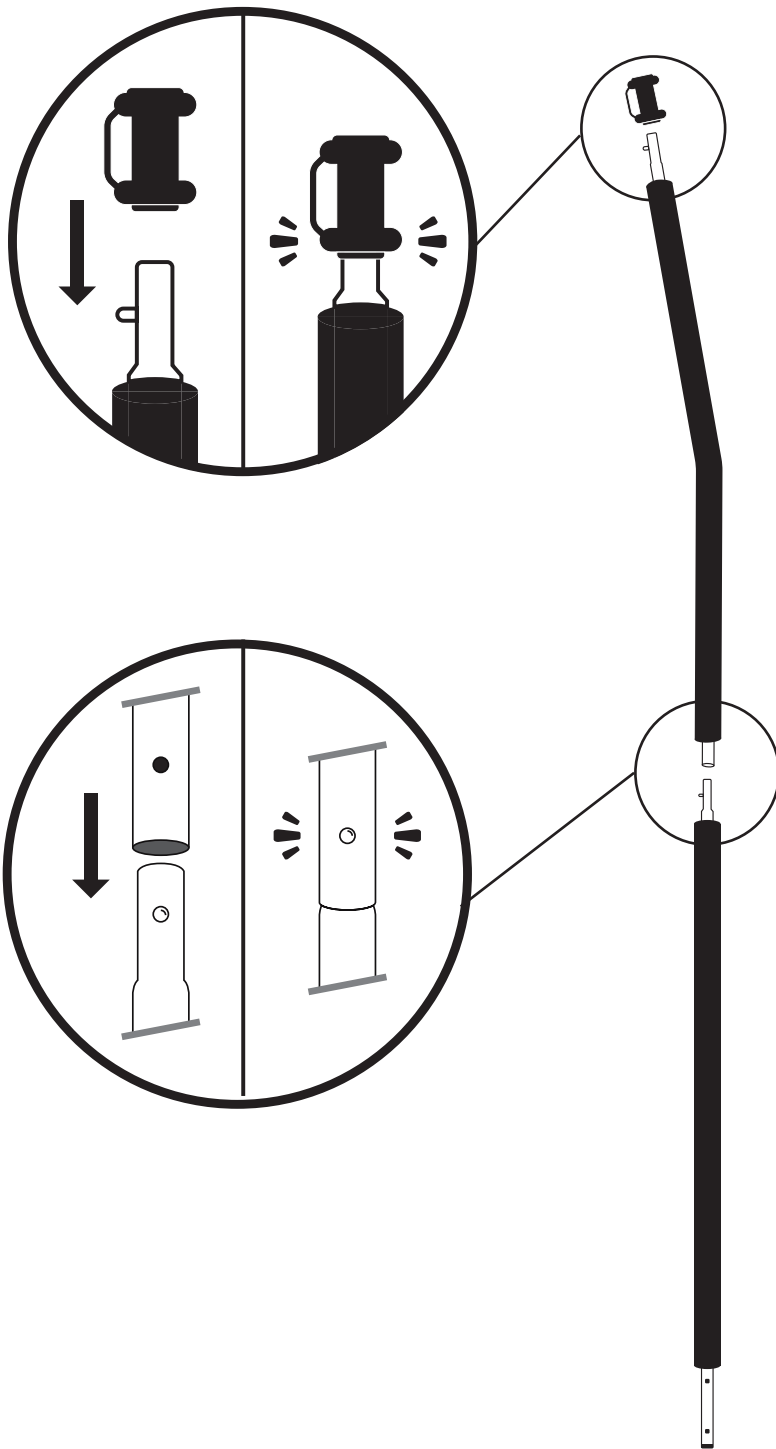


8- Black Nut Cap



# ASSEMBLY INSTRUCTIONS

---



## STEP 1:

Gather all Curved Enclosure Poles (Part 2) and Enclosure Pole Caps (Part 3).

## IMPORTANT:

Do not attach the Enclosure Pole Caps to the Straight Enclosure Poles. Once an Enclosure Pole Cap has been installed **it cannot be removed.**

Snap and click all Enclosure Pole caps to the Curved Enclosure Pole. The button must be pushed down, and you will hear a click once successfully attached.

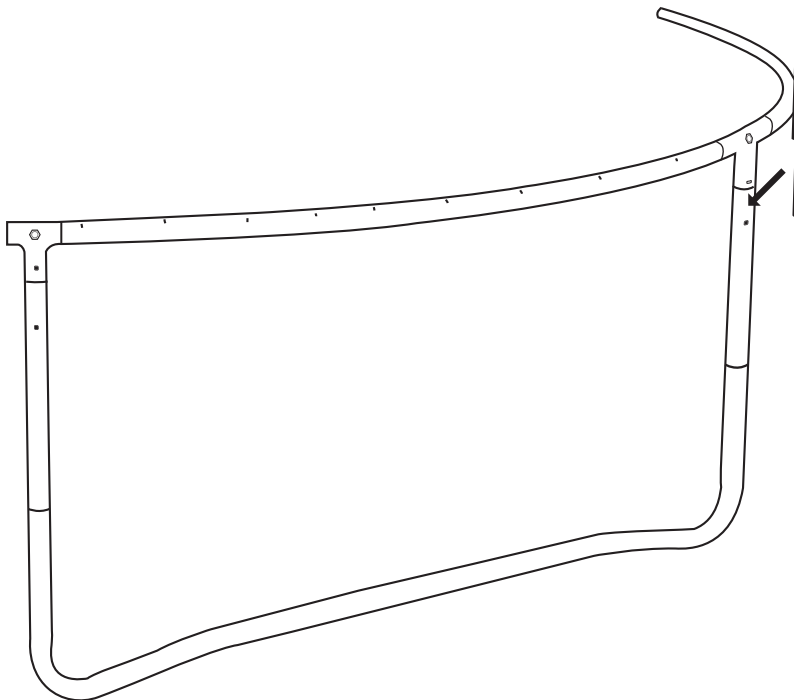
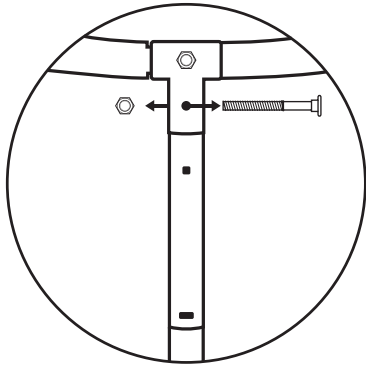
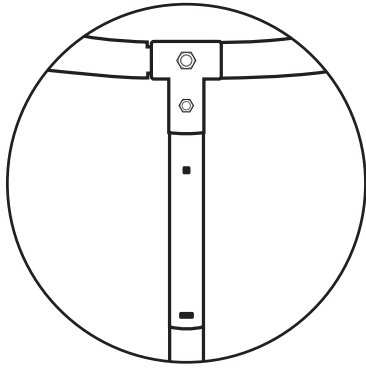
## STEP 2:

Collect all Straight Enclosure (Part 1)

Connect the Straight Enclosure Poles and Curved Enclosure Poles using the Snap and Click mechanism. Button must be pushed down, and you will hear a click once successfully attached.

You will have 6 completed Enclosure Poles.

# ASSEMBLY INSTRUCTIONS



## STEP 3:

- A. Remove the Nut and Screw from 15FT Enclosure Trampoline on the right side of the U-Shaped Leg.

Do not remove all nuts and bolts at the same time, only 1 set a time to keep the strength of the Frame at all times.

## NOTE:

Make sure to keep removed parts stored or in a safe place away from the mat while building the Enclosure.

- B. With the help of another adult, hold the completed enclosure pole by aligning both square holes to begin installation.

## NOTE:

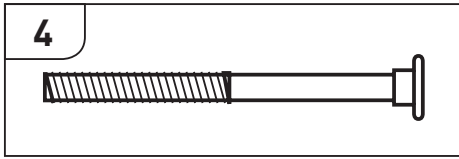
Curved Enclosure Pole must face the center of the trampoline.

- C. Once aligned, screw in the completed pole to the leg. Follow the directions on the next page (Page 10) for the order and right parts to attach properly

- D. Continue to do this on all U Shaped Legs one by one until you ave installed all 6 Enclosure poles tightly.



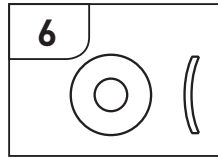
# ASSEMBLY INSTRUCTIONS



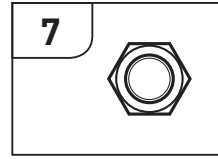
4  
Screw



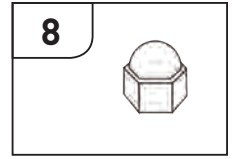
5  
Spacer



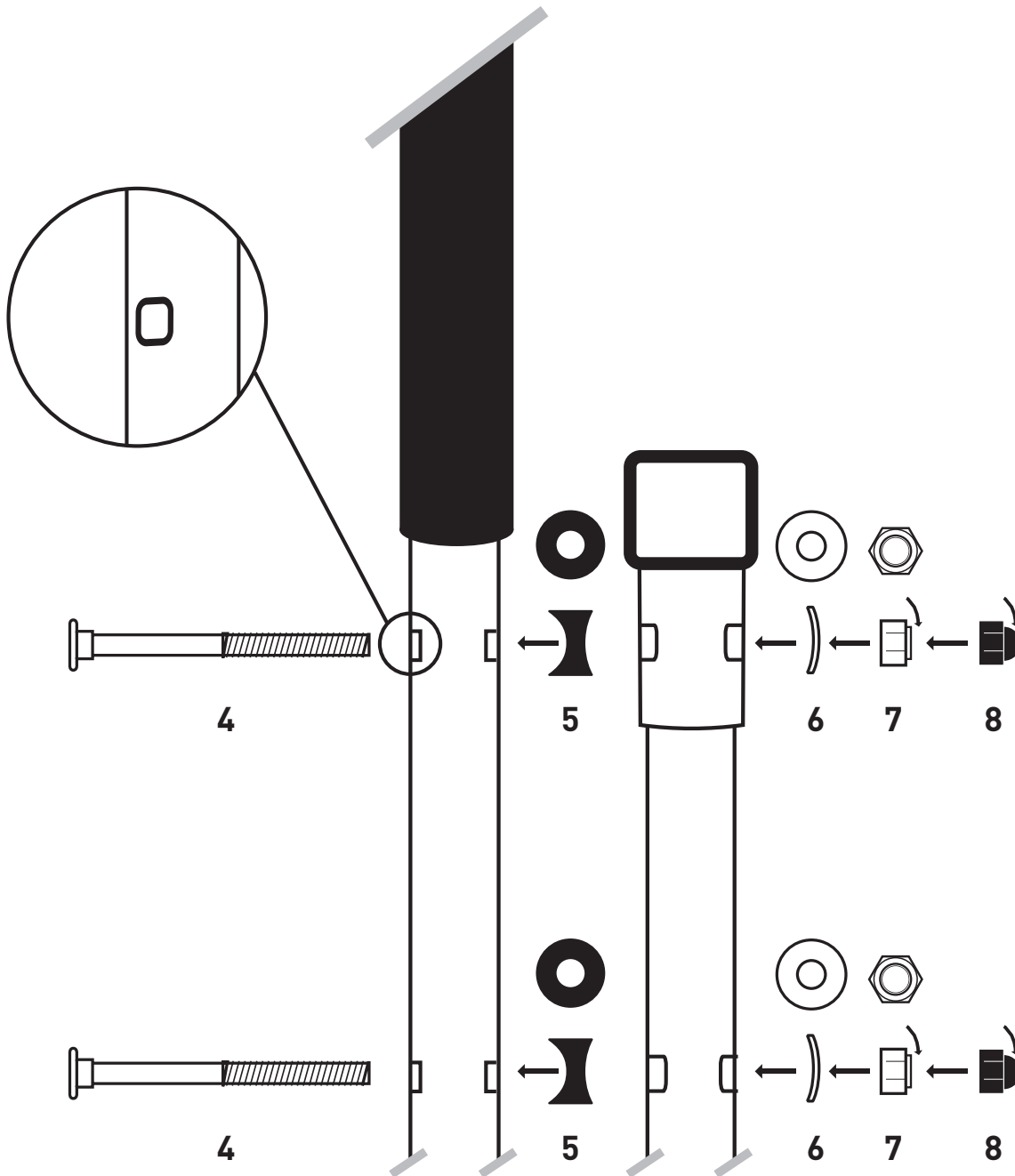
6  
Washer



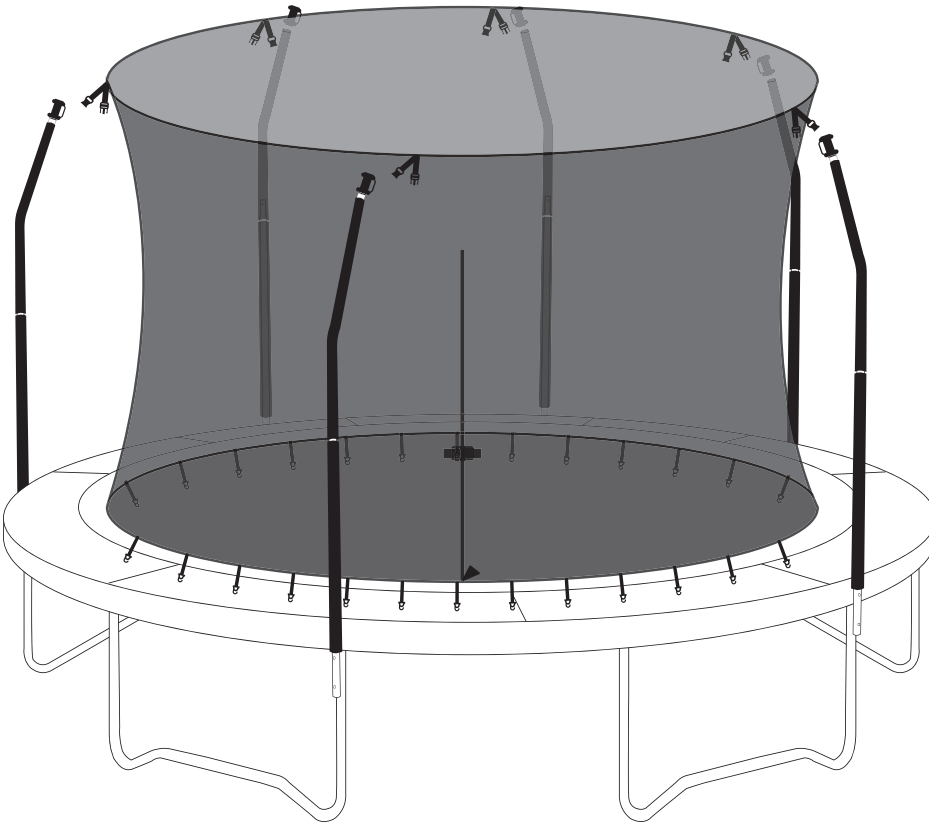
7  
Nut



8  
Black Nut Cap



# ASSEMBLY INSTRUCTIONS

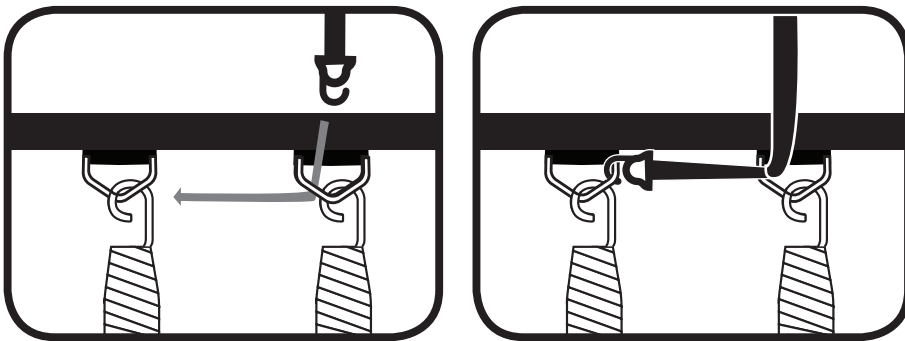


## STEP 4:

Place the Enclosure Net (Part 9) on top of the trampoline. Align the straps to the corresponding Enclosure Poles so they are as near to each other as possible when lifted

## NOTE:

Make sure that zipper and buckle snap are facing the outside of the trampoline. This is good to ensure that Enclosure is not reversed.



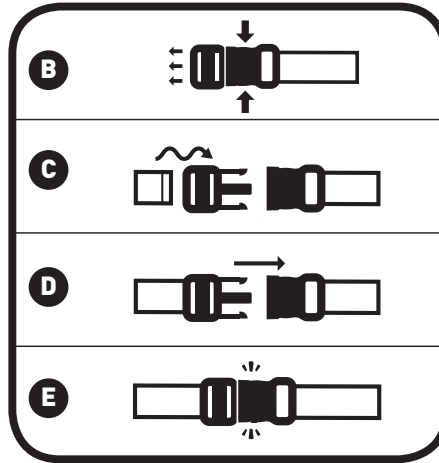
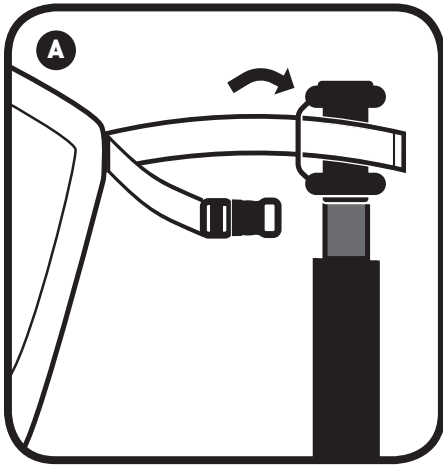
## STEP 5:

To keep the net attached to the Jumping Mat, slip the hooks at the bottom of the Enclosure Net through the nearest V-Ring slot, and hook to an adjacent V-Ring as shown.

Continue to do this until all hooks on the enclosure are attached in this way.

# ASSEMBLY INSTRUCTIONS

---



## STEP 6:

- A. To attach the enclosure net to the Pole Caps, grab the corresponding strap at the top of the Enclosure Net and slip through the opening of the Pole cap.
- B. Detach the snaps by pushing on the middle of the buckle.
- C. Connect Male Buckle Snap (Fork Side) to the strap.
- D. Once Male Buckle snap is fastened, Re-attach to the other side of the buckle.
- E. You will successfully connect both sides when you hear them click.

