



40" MINI TRAMPOLINE WITH HANDRAIL

MODEL# 9005MTH
PRODUCT MANUAL - VERSION 04.18.07LR

FOR AGES:

13+

WEIGHT LIMIT:

250 Lbs
114 Kgs

TO BUILD:



TOOLS NEEDED:



HOW-TO
VIDEOS ONLINE



CUSTOMER SERVICE

GQBrands.com • CustomerService@GQBrands.com • 1-866-498-5269 • 4401 Samuell Blvd, Ste 150, Mesquite, TX 75149



CUSTOMER SERVICE INFORMATION

Thank you for purchasing: 40" MINI TRAMPOLINE WITH HANDRAIL

MODEL# 9005MTH

At GQBrands®, we want all of our customers to be completely satisfied with their purchase. Take time to review the contents of the product you have just received to make sure that all of the parts are included. If you find that any parts are missing or damaged, we will provide replacement parts at no charge within 30 days of purchase.

Please keep in mind that for select damaged part replacement requests, we will require a photo for submission.

To order these parts, or if you have any other questions or concerns about this GQBrands product, please contact us at

PureFun.Net
GQBrands®
Phone: 1-866-498-5269
Email: CustomerService@GQBrands.com
4401 Samuell Blvd, Ste 150,
Mesquite, TX 75149

Please be sure to include the following information when you contact Customer Service:

YOUR NAME: _____

YOUR MAILING ADDRESS: _____

YOUR EMAIL ADDRESS: _____

PRODUCT NAME: _____

PRODUCT MODEL#: _____

PART NUMBER _____

RETAILER WHERE PURCHASED: _____

DATE OF PURCHASE: _____

ORDER NUMBER: *(If Available)* _____

SERIAL NUMBER: *(If Available)* _____

QUANTITY NEEDED: _____

PICTURE OF DAMAGED PART

LIMITED WARRANTY

Global Quality Brands® warrants this product to be free from defects in workmanship and materials under normal use and conditions for a period of 90 DAYS FROM THE DATE OF ORIGINAL PURCHASE. This Limited Warranty is not transferable and is available only for the original purchaser of the Product. The Company's obligation under this warranty is limited to replacing or repairing the Product, at the discretion of the company.

All warranty coverage extends only to the original retail purchaser from the date of purchase, GQ Brands obligation under this warranty is limited to replacing or repairing, at Global Quality Brands® option. All products for which a warranty claim is made must be received by Global Quality Brands® and accompanied by sufficient proof of purchase (photocopy of the original store receipt, indicating the date of purchase). All freight and handling fees are the responsibility of the consumer to pay, both to and from Global Quality Brands®. All warranty claims must be preauthorized by Global Quality Brands® pre-authorization can be obtained by calling 866-498-5269.

This warranty does not cover ordinary wear and tear, weathering, failure to follow directions, improper installation, improper maintenance, or acts of nature, (such as damage caused by wind, lightning, snow, water, or ice) weather damage, damage caused by unauthorized repair work or damage caused by improper use of the products are not covered by the product warranty. No other warranty beyond that specifically set forth above is authorized by GQBrands®.

GLOBAL QUALITY BRANDS® IS NOT RESPONSIBLE OR LIABLE FOR INDIRECT, SPECIAL OR CONSEQUENTIAL DAMAGES ARISING OUT OF OR IN CONNECTION WITH THE USE OR PERFORMANCE OF THE PRODUCT OR OTHER DAMAGES WITH RESPECT TO ANY ECONOMIC LOSS, LOSS OF PROPERTY, LOSS OF REVENUE OR PROFITS, LOSS OF ENJOYMENT OR USE, COST OF REMOVAL, INSTALLATION OR OTHER CONSEQUENTIAL DAMAGES. SOME STATES DO NOT ALLOW THE EXCLUSION OR LIMITATION OF INCIDENTAL OR CONSEQUENTIAL DAMAGES. ACCORDINGLY,

THE ABOVE LIMITATION MAY NOT APPLY TO YOU. THE WARRANTY EXTENDED HEREUNDER IS IN LIEU OF ALL OTHER WARRANTIES AND GLOBAL QUALITY BRANDS®, SPECIFICALLY DISCLAIMS ANY IMPLIED WARRANTY OF MERCHANTABILITY OR FITNESS FOR A PARTICULAR PURPOSE IS LIMITED IN ITS SCOPE AND DURATION TO THE TERMS SET FORTH HEREIN. SOME STATES DO NOT ALLOW LIMITATION ON HOW LONG AN IMPLIED WARRANTY LASTS. ACCORDINGLY, THE ABOVE LIMITATION MAY NO APPLY TO YOU. THIS WARRANTY GIVES YOU SPECIFIC LEGAL RIGHTS. YOU MAY ALSO HAVE OTHER RIGHTS, WHICH VARY FROM STATE TO STATE.

WHILE EVERY ATTEMPT IS MADE TO ENSURE THE HIGHEST DEGREE OF PROTECTION IN ALL EQUIPMENT, WE CANNOT GUARANTEE FREEDOM OF INJURY. THE USER ASSUMES ALL RISK OF INJURY DUE TO USE. ALL MERCHANDISE IS SOLD ON THIS CONDITION, WHICH NO REPRESENTATIVE OF GQBRANDS® CAN WAIVE OR CHANGE.



⚠ WARNINGS



ADULT ASSEMBLY REQUIRED CHOKING HAZARD - Small Parts NOT for children under 3 years of age.

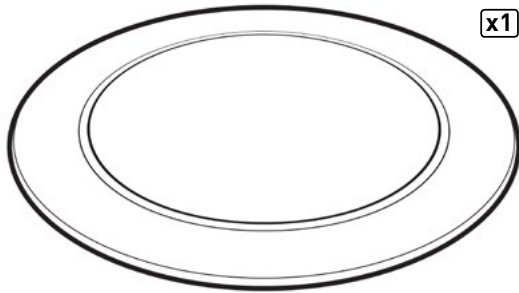
Please read these warnings and the information in this manual in its entirety.

Failure to comply with the following instructions may increase the risk of serious injury and/or death:

- This unit is designed only for jogging in place and similar bounding exercises.
- Not recommended for children under 13 years of age.
- Maximum weight limit: 250lbs. (114kgs)
- Children **MUST NEVER** use the trampoline unless supervised by a responsible adult with knowledge of trampoline use. **DO NOT** leave children unattended at any time.
- Caution and care must be taken in underneath a light fixture or ceiling fan.
- The contents are not suitable for children under 3 years. This product contains small parts, which may cause choking.
- This trampoline is designed for one user only. Do not let more than one person use this product at the same time.
- Immediately discontinue use if any breakage to the frame assembly or springs are found. Failure to do this may result in injury and/or further damage to the product.
- This trampoline is only designed for normal residential use. It is **NOT** intended for commercial applications and/or in public areas such as schools, parks, day cares, commercial/communal gyms, etc.
- When in use, your trampoline must be placed at a safe distance from any vertical or horizontal obstructions, such as stairways/ stairwells, power lines, ceiling fans, pools, walls, overhead or wall light fixtures, windows, furniture, appliances, etc. Keep on a level surface.
- **NEVER** place trampoline for use on or near hard surfaces such as patios, driveways or gravel paths, or place near power lines, bodies of water, buildings, walls, roadways, unlevelled ground or other hazards.
- Indoor use – position so that there is 8 feet of distance between the trampoline and foreign objects.
- Outdoor use – position well away from water on flat firm ground; ideally grass. Never position on or near hard surfaces such as patios or driveways, or position trampoline close to buildings, walls or roadways.
- **DO NOT** store trampoline outdoors or where exposed to moisture or extreme temperatures.
- Ensure area under and around trampoline is clear of any toys/ obstacles that may cause injury. Do not allow small children or pets to crawl or hide under the trampoline.
- **DO NOT** wear glasses or helmets when using the trampoline.
- **DO NOT** store items, playthings, or place any obstructions underneath the Jump Mat.
- Users should not wear clothing, jewelry, or anything could catch or snag on the product (e.g. loose clothing, cords, shoulder bags).
- **DO NOT** fall or bounce on your knees. This can cause injury.
- **DO NOT** somersault. This can cause serious injury resulting in paralysis or death.
- Users should stand or bounce as near to the center of the mat as possible. Bouncing or standing near the edge of the trampoline could cause the frame to tip over or damage the mat/springs.
- Do not allow small children to wander into the play area where the trampoline is in use.
- **ALWAYS** secure the trampoline against unauthorized and unsupervised use.
- Before each use, inspect and replace any worn, defective or missing parts. It is important to check the trampoline to ensure the frame is steady and all parts are in good condition.
- Before each use, make sure the frame padding is in place with the springs and frame fully covered.
- **AVOID** bouncing too high. Maintain safe control at all times.
- Mount and dismount the trampoline with care as injury may result.
- **ALWAYS** make sure to store your trampoline safely, where it will not present a tripping or obstacle hazard.
- Dispose of all packaging materials safely and per local ordinance.

PARTS LIST

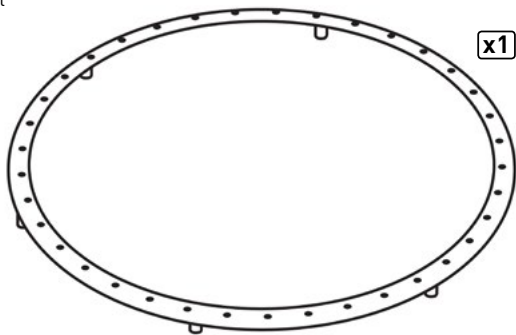
2 - Frame Pad



3 - Jump Mat



4 - Top Rail



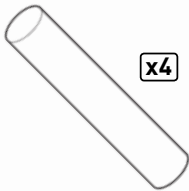
4A - Top Rail Cap



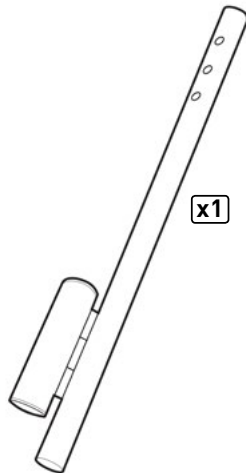
5 - Spring



6 - Leg Tube



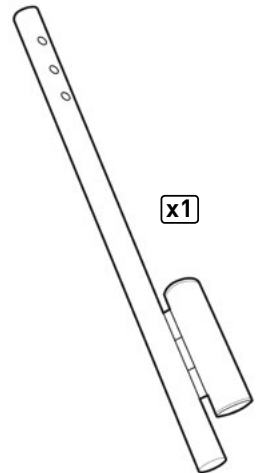
7L - Handrail Support Left (A)



7A - Handrail Cap



8R - Handrail Support Right (B)



7B - Handrail Foam

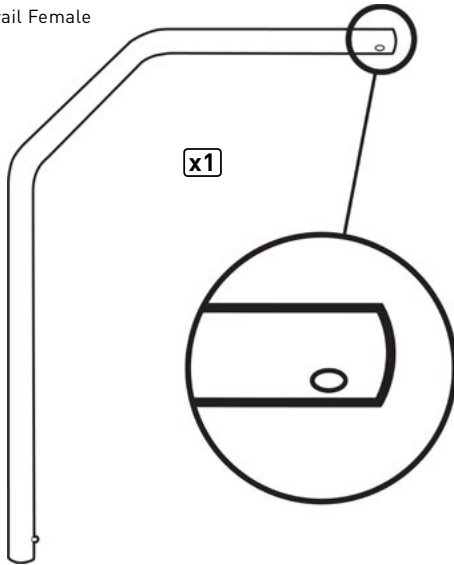


6A - Leg Cap

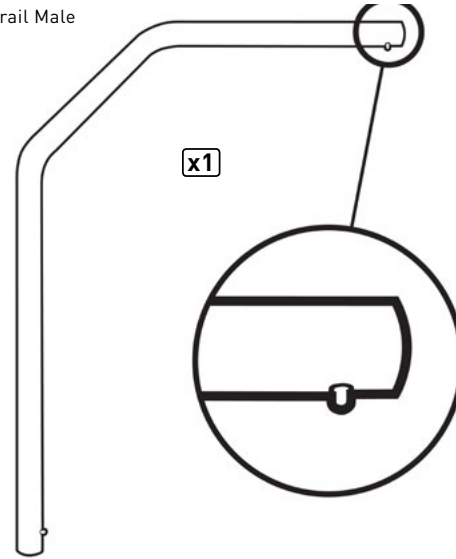


PARTS LIST

9 - Top Handrail Female



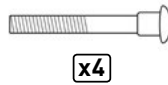
10 - Top Handrail Male



9A - Top Handrail Foam



11 - M5 x 45mm Bolt



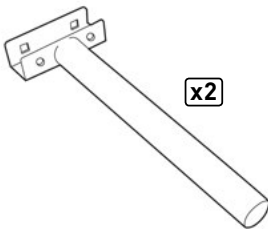
12 - Nut



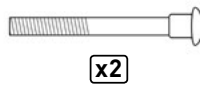
13 - Nut Cap



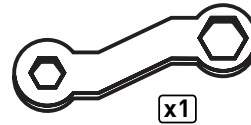
14 - T-Section Leg Tube



15 - M5 x 65mm Bolt



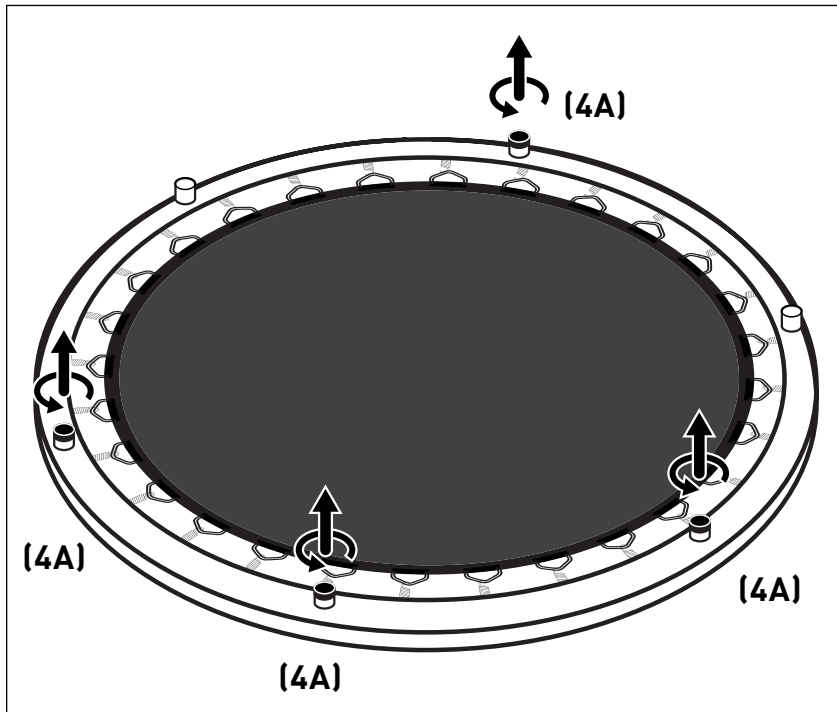
16 - Wrench



X1 - Washer



ASSEMBLY INSTRUCTIONS



STEP 1:

Parts:

- Part 2 (x1) - Frame Pad
- Part 3 (x1) - Jump Mat
- Part 4 (x1) - Top Rail
- Part 4A (x4) - Top Rail Cap
- Part 5 (x36) - Spring

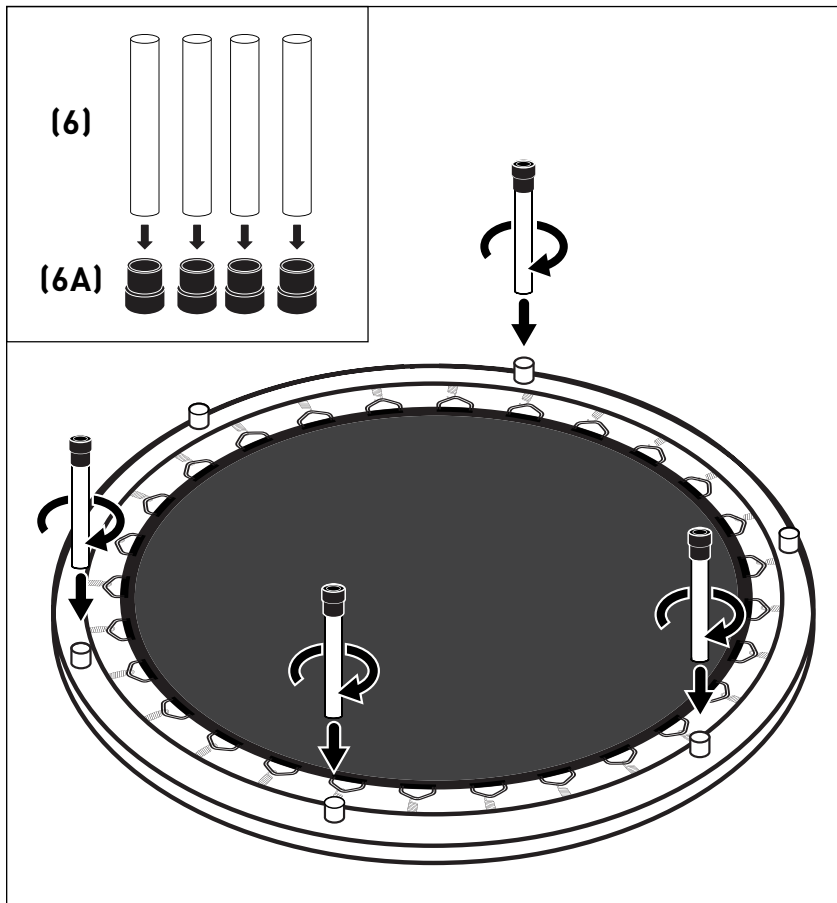
NOTE: Parts 2, 3, 4, 4A, and 5 might come pre assembled for your convenience. Flip The Jump Mat so the logo is facing the floor, and the leg openings are facing up.

STEP 2:

Parts:

- Part 4A (x4) - Top Rail Cap

Remove all 4x Top Rail Caps (Part 4A) from the Top Rail. Store in a safe place.



STEP 3:

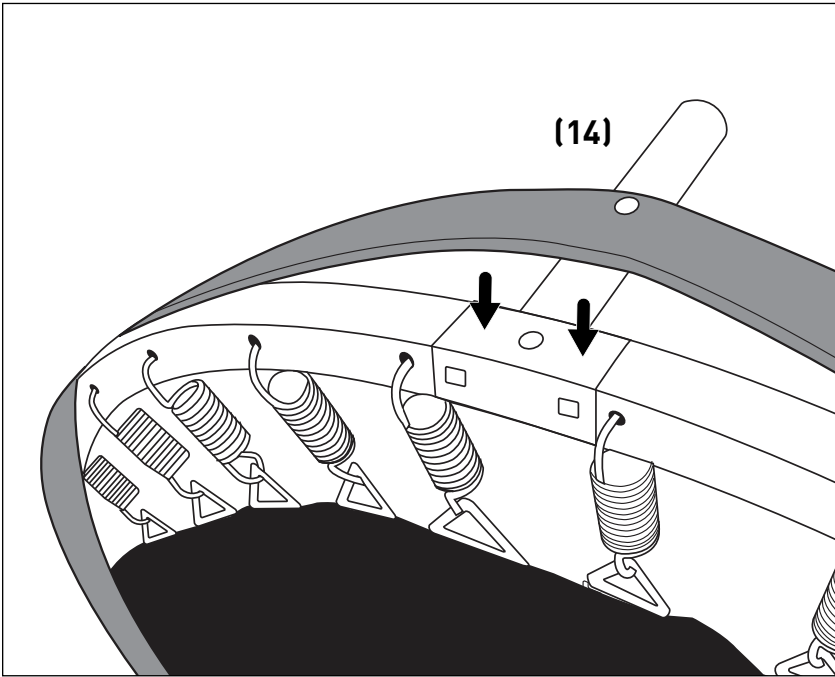
Parts:

- Part 6 (x4) - Leg Tube
- Part 6A (x4) - Leg Cap

NOTE: These parts might come preassembled for your convenience. If not, simply attach a Leg Cap (Part 6) to a Leg Tube (Part 6A). Repeat these steps until you have 4x assembled legs.

Install all four assembled Leg Tubes into the Top Rail by spinning clockwise. Install in the same openings the Top Rail Caps where removed from.

ASSEMBLY INSTRUCTIONS



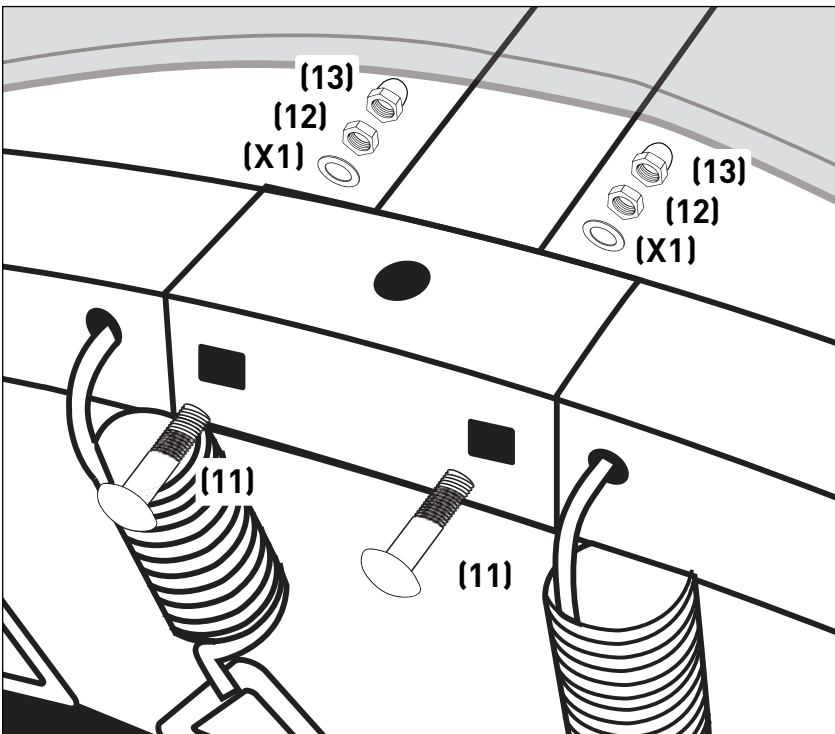
STEP 4:

Parts:

Part 14 (x2) - T-Section Leg Tube

Locate the appropriate openings to insert the T-Section Leg Tubes on to the frame.

Make sure to align the opening on the frame pad to the T-Section to install the Enclosure in Step 5



STEP 5:

Parts:

Part 11 (x4) - M5 x 45mm Bolt

Part 12 (x4) - Nut

Part 13 (x4) - Nut Cap

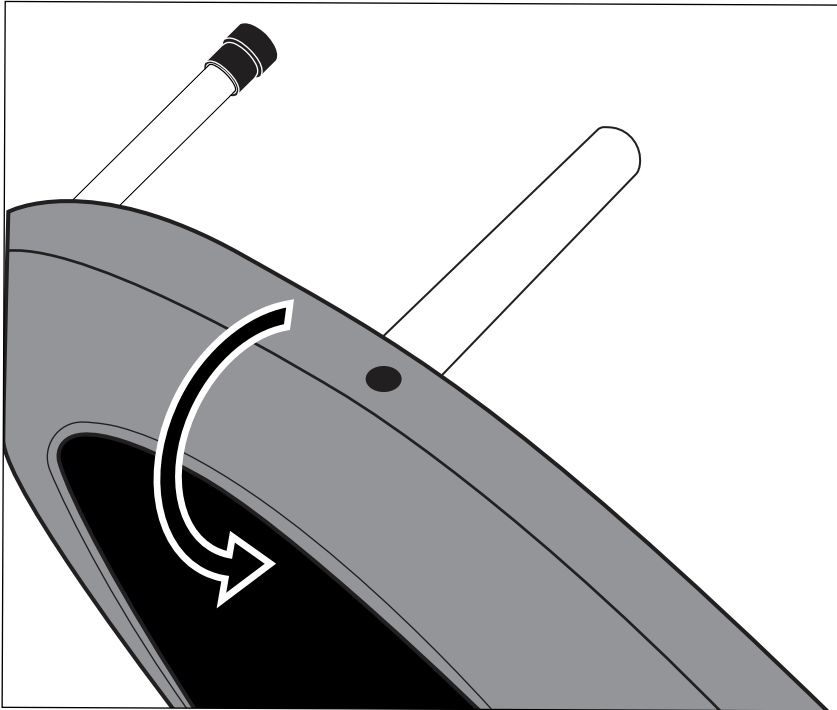
Part X1 (X4) - Washer

Before you place the Frame Pad back on top of the Top Rail, Secure both T-Section Leg Tubes by using 4x M5x45mm Bolts (Part 11) by sliding from the top of the T-Section. Secure with 4x Washers (Part X1), 4x Nuts (Part 12), and 4x Nut Caps (Part 13).

Make sure both T-Section Legs are secure and all Legs are facing the same direction.

NOTE: All bolts must be inserted from the top square openings of the T-Section so the flatheads are under the frame pad. Failure to do this might result in injury if installed incorrectly.

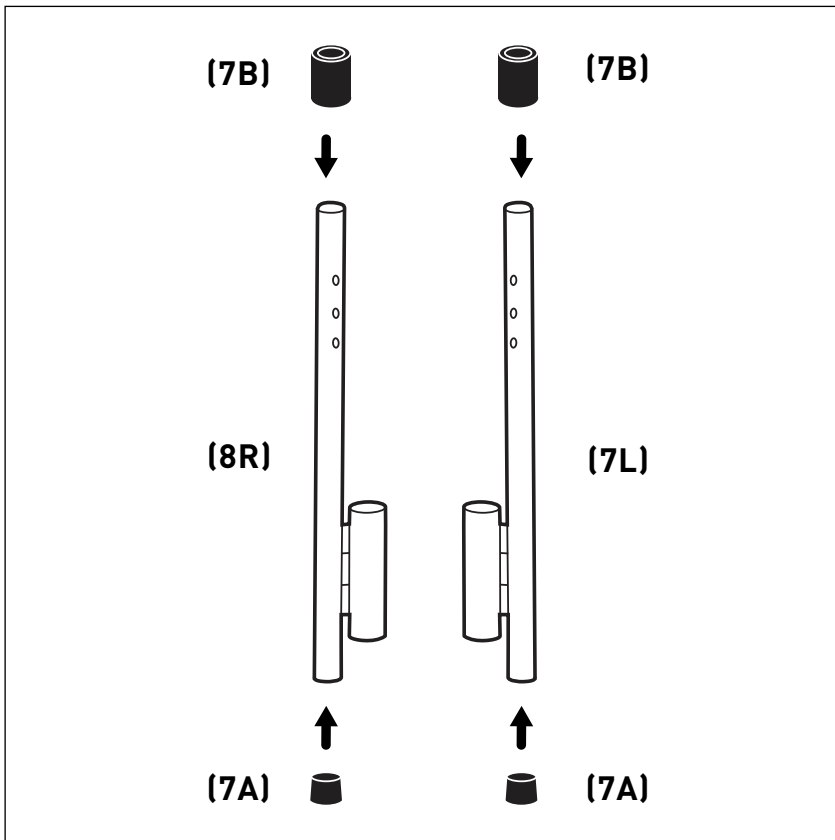
ASSEMBLY INSTRUCTIONS



STEP 6:

Once both T-Sections are secure to the Top Rail, flatten the Frame Pad so all the Springs are covered.

Make sure the smaller opening aligns with the side opening of the T-Section.



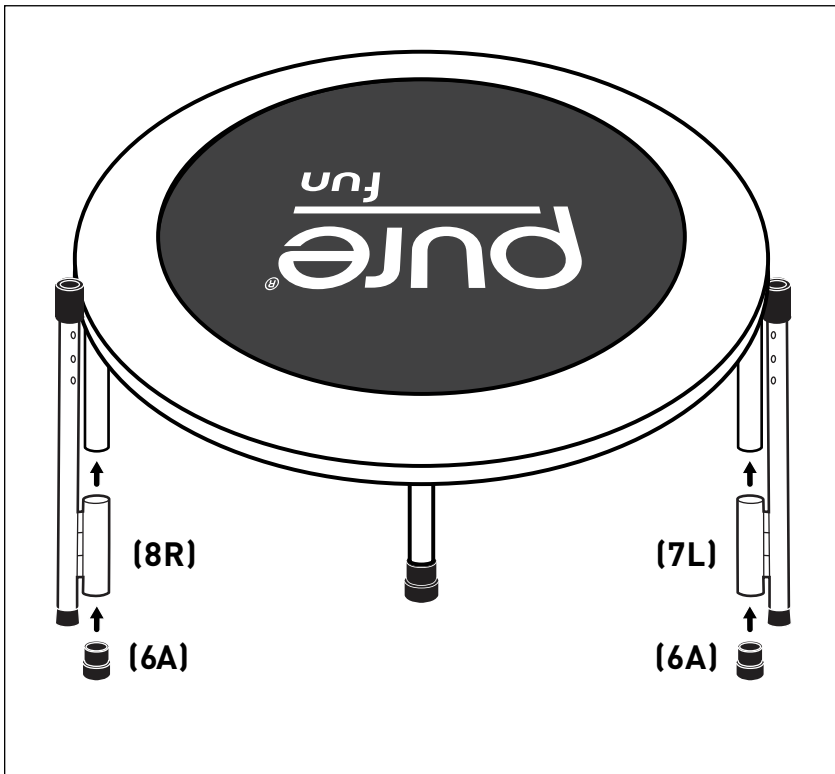
STEP 7:

Parts:

- Part 7L (x1) - Handrail Support Left (A)
- Part 8R (x1) - Handrail Support Right (B)
- Part 7A (x2) - Handrail Cap
- Part 7B (X2) - Hand Rail Foam

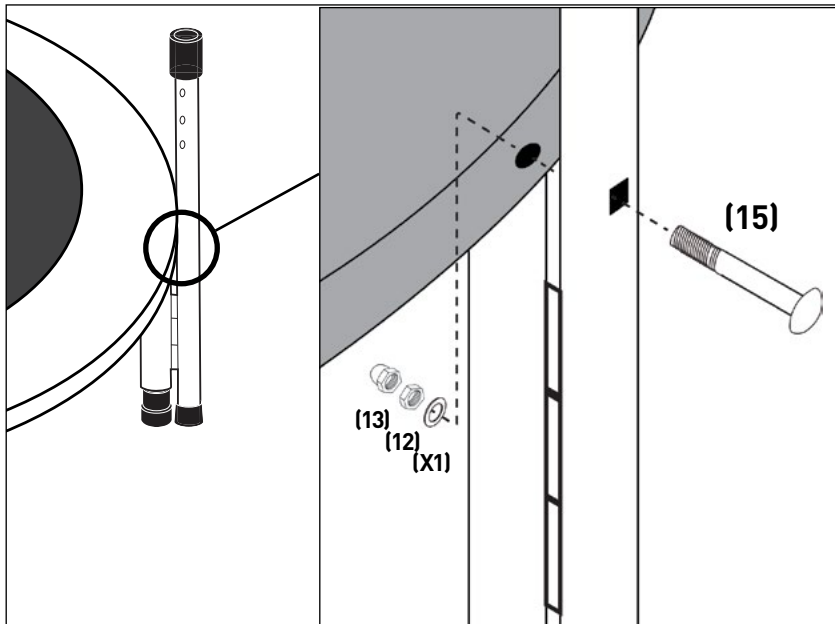
NOTE: Parts 7L, 7A, 7B, and 8R, might come preassembled for your convenience. If not, attach the Handrail Foam (Part 7B) to the edge of the Handrail Support tubes without covering the 3 openings. At the bottom of the Handrail Support place a Hand Rail Cap (Part 7A). Follow these steps for both Handrail Support Left (Part 7L) and Handrail Support Right (Part 8R).

ASSEMBLY INSTRUCTIONS



Use the smaller tube at the bottom of the Handrail Support and slide through the T-Section Leg tube and secure with a Leg Cap (Part 6A). Repeat these steps for both Part 7L and 8R.

NOTE: Make sure that the 3 openings on their respective Handrail Supports are facing each other. This will let you know that they are installed in the correct side.



STEP 8:

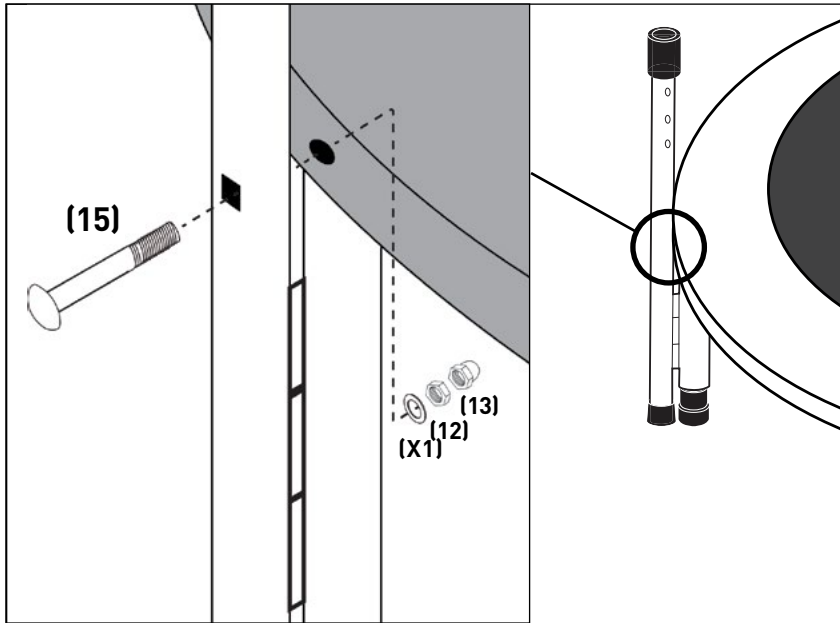
Parts:

- Part 15 (x1) - M5 x 65mm
- Part 12 (x1) - Nut
- Part 13 (x1) - Nut Cap
- Part X1 (X1) - Washer

Locate the smaller opening on the Frame Pad, and align with the bottom opening of the Handrail Support Left (Part 7L).

Insert 1x M5x65mm Bolt (Part 15) from the outside of the trampoline, and secure with 1x Washer (Part X1), 1x Nut (Part 12), and 1x Nut Cap (Part 13).

ASSEMBLY INSTRUCTIONS



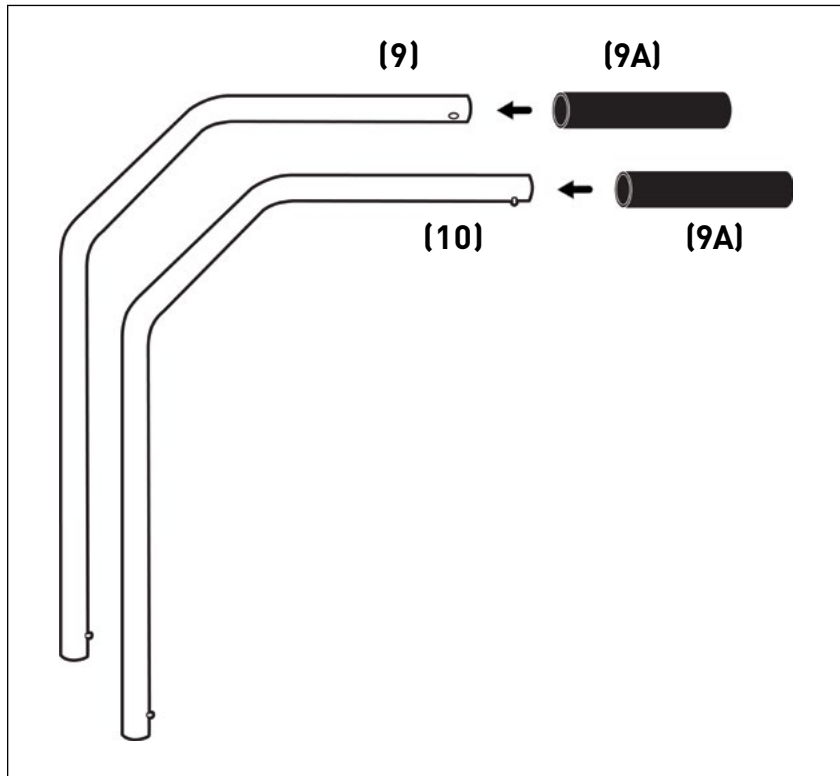
STEP 9:

Parts:

- Part 15 (x1) - M5 x 65mm
- Part 12 (x1) - Nut
- Part 13 (x1) - Nut Cap
- Part X1 (X1) - Washer

Locate the smaller opening on the Frame Pad, and align with the bottom opening of the Handrail Support Right (Part 8R).

Insert 1x M5x65mm Bolt (Part 15) from the outside of the trampoline, and secure with 1x Washer (Part X1), 1x Nut (Part 12), and 1x Nut Cap (Part 13).



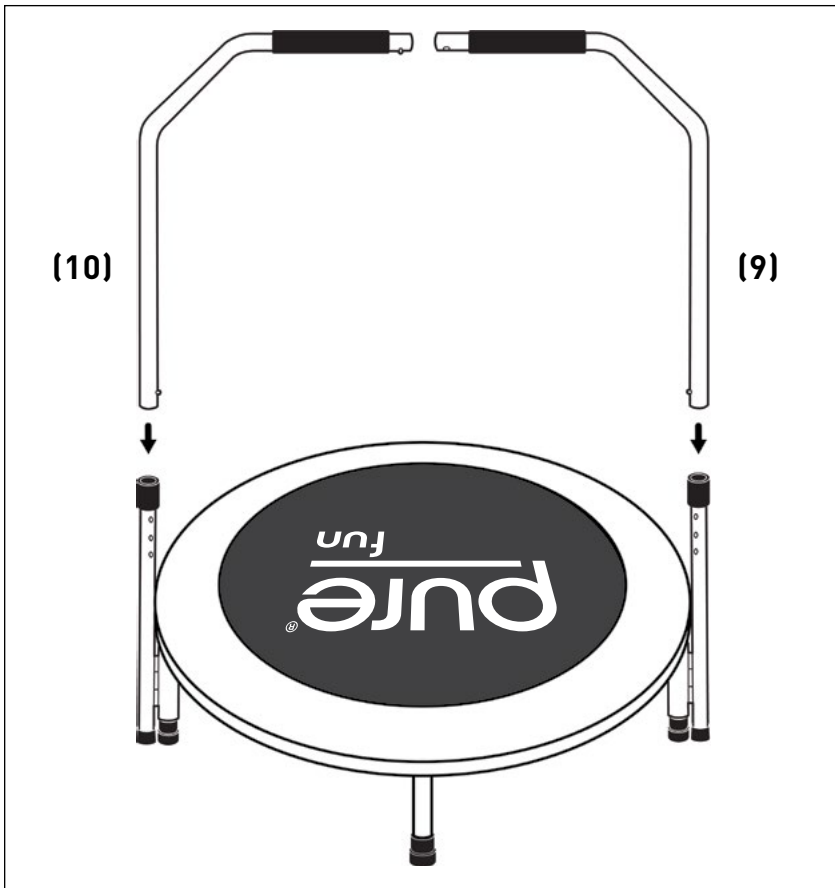
STEP 10:

Parts:

- Part 9 (x1) - Top Handrail Female
- Part 10 (x1) - Top Handrail Male
- Part 9A (x2) - Top Handrail Foam

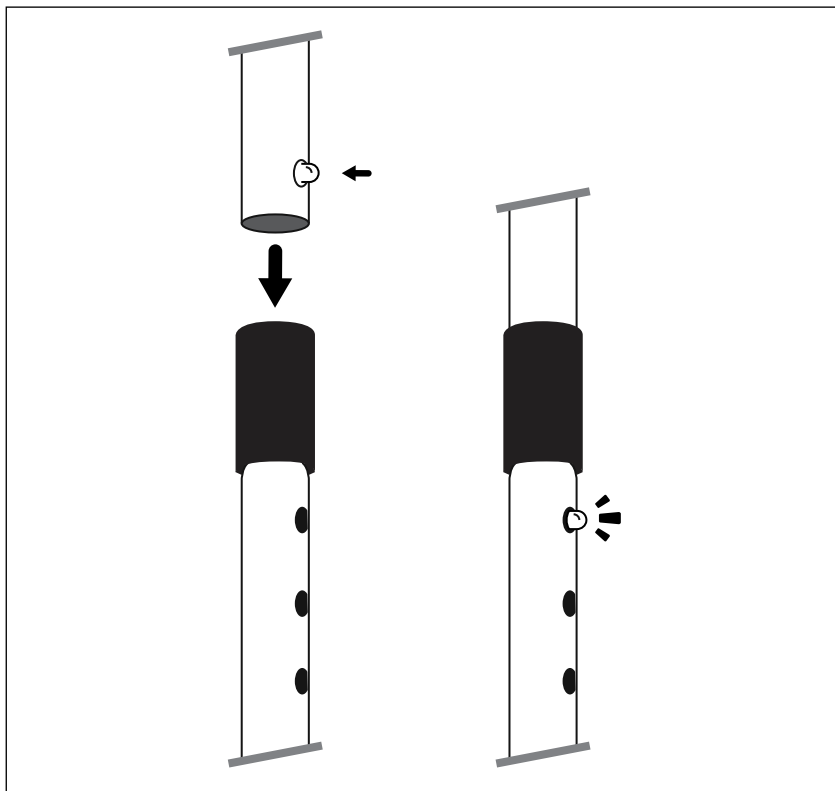
NOTE: Parts 9, 10, and 9A might come pre-assembled for your convenience. If not, Slide the Top Handrail Foam (Part 9A) through the upper opening of the Top Handrail Female (Part 9) and Top Handrail Male (Part 10)

ASSEMBLY INSTRUCTIONS



STEP 11:

Align the Top Handrail Female (Part 9) to the Handrail Support Left and slide. Align the Top Handrail Male (Part 10) to the Handrail Support Right and slide.



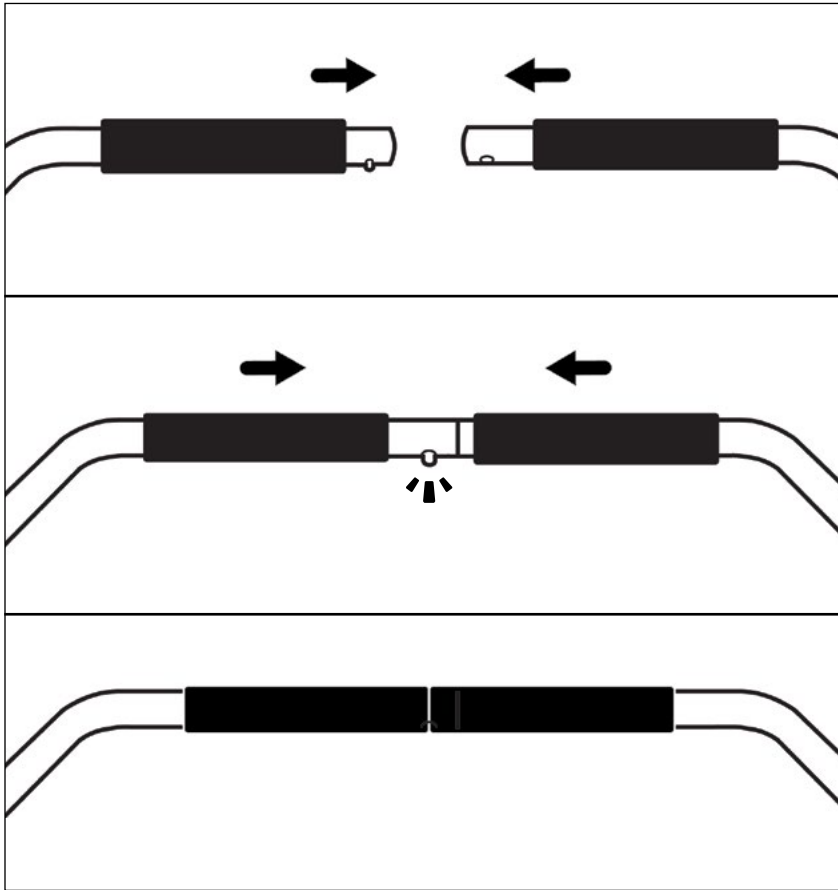
STEP 12:

In order to choose a height in the Trampoline, push the Snap Click button on the bottom of Top Handrail and slide into the Handrail Support.

Choose from the three available openings and guide the button to surface on the opening that your prefer for your height.

NOTE: Both buttons on the Top Handrails must be inserted in the same parallel openings from both Handrail Supports. Failure to do this might result in breakage of the product or injury when the trampoline is in use.

ASSEMBLY INSTRUCTIONS



STEP 13:

Guide the Snap Button from the Top Handrail Male (Part 10) into the opening of Top Handrail Female (Part 9)

Once the Snap Button is secure, slide the Handrail foams to each other to avoid pinching when using and holding on to Handrail.

NOTES

CUSTOMER SERVICE

GQBrands®
1-866-498-5269
CustomerService@GQBrands.com
4401 Samuell Blvd, Ste 150,
Mesquite, TX 75149