



6 FT KIDS WAVY SLIDE

MODEL# 9305WS
PRODUCT MANUAL - VERSION 01.18.05

FOR AGES:

3-7

WEIGHT LIMIT:

75 Lbs
34 Kgs

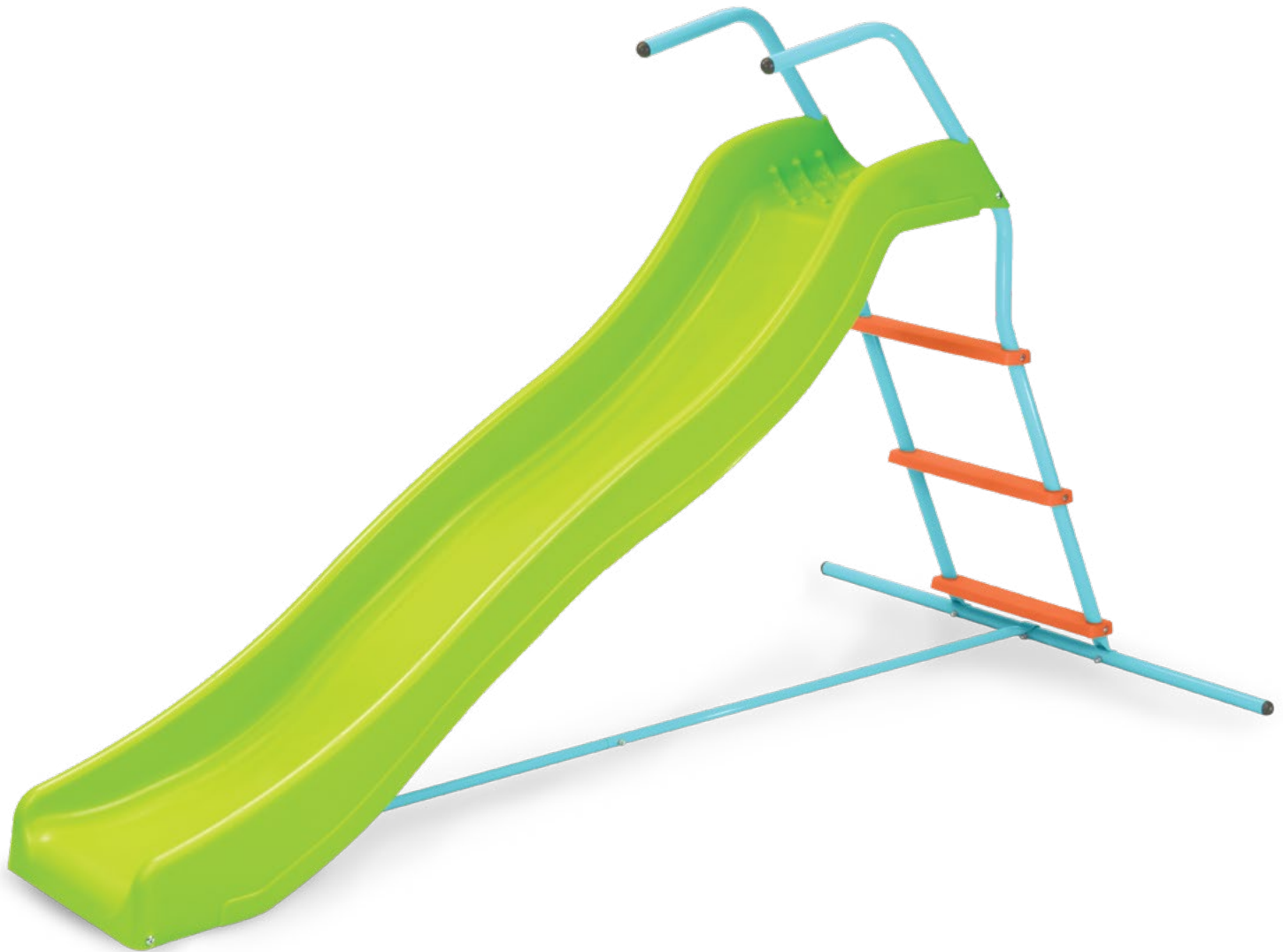
TO BUILD:



TOOLS NEEDED:



HOW-TO
VIDEOS ONLINE



CUSTOMER SERVICE

GQBrands.com

CustomerService@GQBrands.com

1-866-498-5269

4401 Samuell Blvd, Ste 150, Mesquite, TX 75149

CUSTOMER SERVICE INFORMATION

Thank you for purchasing: 6 FT KIDS WAVY SLIDE

MODEL# 9305WS

At GQBrands®, we want all of our customers to be completely satisfied with their purchase. Take time to review the contents of the product you have just received to make sure that all of the parts are included. If you find that any parts are missing or damaged, we will provide replacement parts at no charge within 30 days of purchase.

Please keep in mind that for select damaged part replacement requests, we will require a photo for submission.

To order these parts, or if you have any other questions or concerns about this GQBrands product, please contact us at

PureFun.Net
GQBrands®
Phone: 1-866-498-5269
Email: CustomerService@GQBrands.com
4401 Samuell Blvd, Ste 150,
Mesquite, TX 75149

Please be sure to include the following information when you contact Customer Service:

YOUR NAME: _____

YOUR MAILING ADDRESS: _____

YOUR EMAIL ADDRESS: _____

PRODUCT NAME: _____

PRODUCT MODEL#: _____

PART NUMBER _____

RETAILER WHERE PURCHASED: _____

DATE OF PURCHASE: _____

ORDER NUMBER: *(If Available)* _____

SERIAL NUMBER: *(If Available)* _____

QUANTITY NEEDED: _____

PICTURE OF DAMAGED PART

LIMITED WARRANTY

Global Quality Brands® warrants this product to be free from defects in workmanship and materials under normal use and conditions for a period of 1 YEAR FROM THE DATE OF ORIGINAL PURCHASE. This Limited Warranty is not transferable and is available only for the original purchaser of the Product. The Company's obligation under this warranty is limited to replacing or repairing the Product, at the discretion of the company.

All warranty coverage extends only to the original retail purchaser from the date of purchase. GQ Brands obligation under this warranty is limited to replacing or repairing, at Global Quality Brands® option. All products for which a warranty claim is made must be received by Global Quality Brands® and accompanied by sufficient proof of purchase (photocopy of the original store receipt, indicating the date of purchase). All freight and handling fees are the responsibility of the consumer to pay, both to and from Global Quality Brands®. All warranty claims must be preauthorized by Global Quality Brands® pre-authorization can be obtained by calling 866-498-5269.

This warranty does not cover ordinary wear and tear, weathering, failure to follow directions, improper installation, improper maintenance, or acts of nature, (such as damage caused by wind, lightning, snow, water, or ice) weather damage, damage caused by unauthorized repair work or damage caused by improper use of the products are not covered by the product warranty. No other warranty beyond that specifically set forth above is authorized by GQBrands®.

GLOBAL QUALITY BRANDS® IS NOT RESPONSIBLE OR LIABLE FOR INDIRECT, SPECIAL OR CONSEQUENTIAL DAMAGES ARISING OUT OF OR IN CONNECTION WITH THE USE OR PERFORMANCE OF THE PRODUCT OR OTHER DAMAGES WITH RESPECT TO ANY ECONOMIC LOSS, LOSS OF PROPERTY, LOSS OF REVENUE OR PROFITS, LOSS OF ENJOYMENT OR USE, COST OF REMOVAL, INSTALLATION OR OTHER CONSEQUENTIAL DAMAGES. SOME STATES DO NOT ALLOW THE EXCLUSION OR LIMITATION OF INCIDENTAL OR CONSEQUENTIAL DAMAGES. ACCORDINGLY,

THE ABOVE LIMITATION MAY NOT APPLY TO YOU. THE WARRANTY EXTENDED HEREUNDER IS IN LIEU OF ALL OTHER WARRANTIES AND GLOBAL QUALITY BRANDS®, SPECIFICALLY DISCLAIMS ANY IMPLIED WARRANTY OF MERCHANTABILITY OR FITNESS FOR A PARTICULAR PURPOSE IS LIMITED IN ITS SCOPE AND DURATION TO THE TERMS SET FORTH HEREIN. SOME STATES DO NOT ALLOW LIMITATION ON HOW LONG AN IMPLIED WARRANTY LASTS. ACCORDINGLY, THE ABOVE LIMITATION MAY NO APPLY TO YOU. THIS WARRANTY GIVES YOU SPECIFIC LEGAL RIGHTS. YOU MAY ALSO HAVE OTHER RIGHTS, WHICH VARY FROM STATE TO STATE.

WHILE EVERY ATTEMPT IS MADE TO ENSURE THE HIGHEST DEGREE OF PROTECTION IN ALL EQUIPMENT, WE CANNOT GUARANTEE FREEDOM OF INJURY. THE USER ASSUMES ALL RISK OF INJURY DUE TO USE. ALL MERCHANDISE IS SOLD ON THIS CONDITION, WHICH NO REPRESENTATIVE OF GQBRANDS® CAN WAIVE OR CHANGE.



WARNINGS



ADULT ASSEMBLY REQUIRED **CHOKING HAZARD - Small Parts** **NOT for children under 3 years of age.**

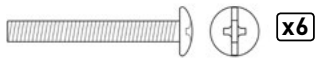
Please read these warnings and the information in this manual in its entirety.

Failure to comply with the following instructions may increase the risk of serious injury and/or death:

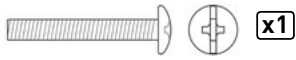
- This unit must be assembled and disassembled by **ADULTS ONLY**.
- This Wavy Slide is suitable for use by most children 3 to 7 years of age.
- Never use this product in any manner other than its intended use.
- **DO NOT** exceed the maximum weight limit of 75lbs (34kgs) regardless of age.
- This unit has a maximum fall weight maximum fall height of 43.5"
- **DO NOT** install this equipment over concrete, asphalt, or any other hard or rough surface. The Wavy Slide should always be installed over an appropriate, stable surface (rubber mat, grass, etc). It is recommended that whenever possible the ground anchors are used and firmly inserted into the ground.
- Carpeting and thin mats are generally not adequate protective surfacing. Ground level equipment—such as a sandbox, activity wall, playhouse or other equipment that has no elevated play surface—does not need any protective surfacing.
- **ALWAYS** locate this equipment on a stable, level surface **AT LEAST 7 feet** away from any structure, obstruction, or possible hazard(s) such as walls, pools, power lines, overhangs, other playground equipment, driveways, hard surfaces and/or roadways.
- Children must be supervised at all times when using this equipment. **DO NOT** leave children unattended at any time. This Wavy Slide is **NOT** for adult or adolescent use.
- **DO NOT** attach items to the Wavy Slide not specifically designed for this purpose. Especially in the case of jump ropes, chains, clotheslines, pet leashes and cables. These may cause a strangulation or physical hazard.
- This Wavy Slide is only designed for family residential use. **NOT** intended for commercial applications and/or use in public areas such as schools, parks, nurseries, day schools, day cares, etc. **DO NOT** allow more than one child on the Wavy Slide and Ladder at a time.
- Instruct children to always be sure that the chute opening at the bottom is clear of any persons, pets or obstructions before sliding.
- **DO NOT** allow children to wear glasses or helmets when using the Wavy Slide.
- At the time of disposal, this item must be completely disassembled and separated into its component types (metals, plastics) for recycling or pick-up according to local ordinances for sanitation pickup.
- **DO NOT** allow children to wear loose fitting clothing, clothing with straps/loops, backpacks or wear and/or hold accessories with straps or loops, or any article of clothing or accessory with sharp edges which may present a hazard or become snagged or caught on the Wavy Slide during use. Serious injury and/or accidental strangulation may occur.
- **DO NOT** place objects on or under the slide, or allow people and pets to stand or sit on, near or under the Wavy Slide and Ladder when in use.
- **DO NOT** allow children to stand on the slide, attempt to walk up the slide or hang from the steel tubing – this can cause serious injury. Children must **ALWAYS** remain securely seated, in the forward facing position when sliding. Do not lay down, slide from a standing position, or slide down the chute back-wards. **DO NOT** allow children to stand on the slide top.
- **DO NOT** use in adverse weather conditions, while the seats are wet, or in poorly lit conditions.
- **ALWAYS** secure the Wavy Slide against unauthorized and unsupervised use. **ALWAYS** wear the appropriate footwear (i.e. closed toe shoes) when using the Wavy Slide.
- It is recommended that children wear long pants when using this slide to prevent friction of skin against the chute. At the end of the play season or when the temperature drops below 40 degrees F, this unit must be stored indoors, or disassembled and stored inside.
- Maintain a minimum depth of 9 inches of loose-fill materials such as wood mulch/ chips, engineered wood fiber (EWF), or shredded/recycled rubber mulch for equipment up to 8 feet high; and 9 inches of sand or pea gravel for equipment up to 5 feet high.
- Use a minimum of 6 inches of protective surfacing for play equipment less than 4 feet in height. If maintained properly, this should be adequate. (At depths less than 6 inches, the protective material is too easily displaced or compacted.)
- Use containment, such as digging out around the perimeter and/or lining the perimeter with landscape edging. Don't forget to account for water drainage.
- Check and maintain the depth of the loose-fill surfacing material. To maintain the right amount of loose-fill materials, mark the correct level on play equipment support posts. That way you can easily see when to replenish and/or redistribute the surfacing.
- Please read and refer to other warnings and use information in the Wavy Slide instructions before use.
- Before each use of this product and twice per month, inspect and re-place any worn, loose, defective or missing parts and/or bolts. It is important to check the entire Wavy Slide to ensure the Chute is in good condition. If any loose, cracked, missing, or otherwise damaged components are found, cease use of this item immediately. Check metal parts for rust. If rust is found, sand and repaint using a non-lead based paint. If removed for winter storage, reinstall any plastic parts before allowing use. Rake and check depth of loose fill protective surfacing materials and replace if necessary.
- Owners shall be responsible for maintaining the legibility of the warning labels.

PARTS LIST

S - M6 40mm Bolt



A - M6 35mm Bolt



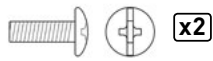
B - M6 30mm Bolt



C - M6 25mm Bolt



T - M6 15mm Bolt



D - Washer



E - Spring Washer



F - Dome Nut



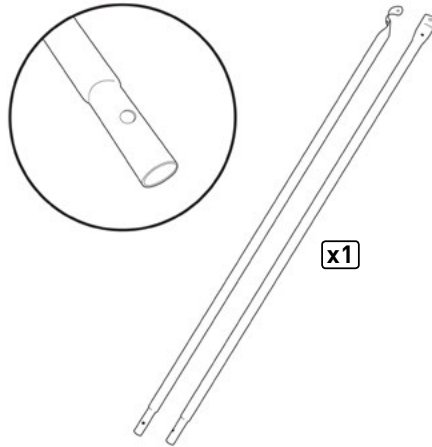
U - Square Washer



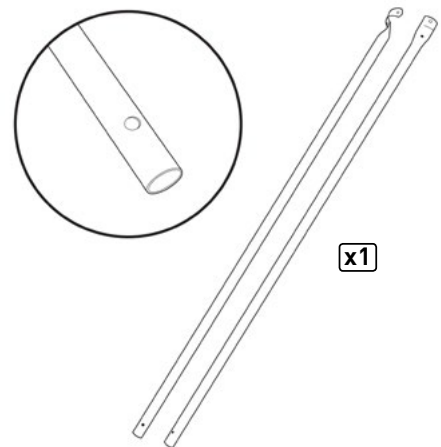
V - Plastic Cap



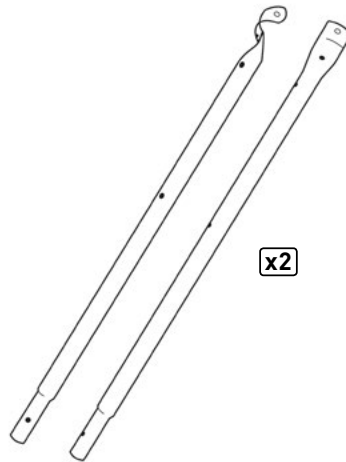
G - Base Tie Bar (Male)



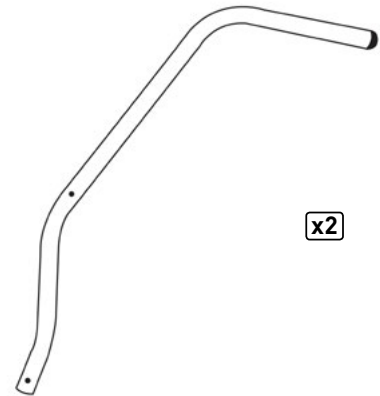
K - Base Tie Bar (Female)



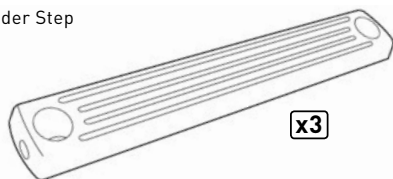
L1 - Hand Rail Tube (Bottom)



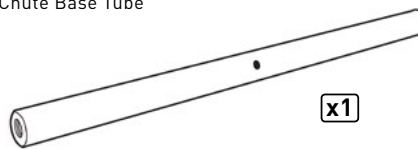
L2 - Hand Rail Tube (Top)



H - Ladder Step



P - Chute Base Tube

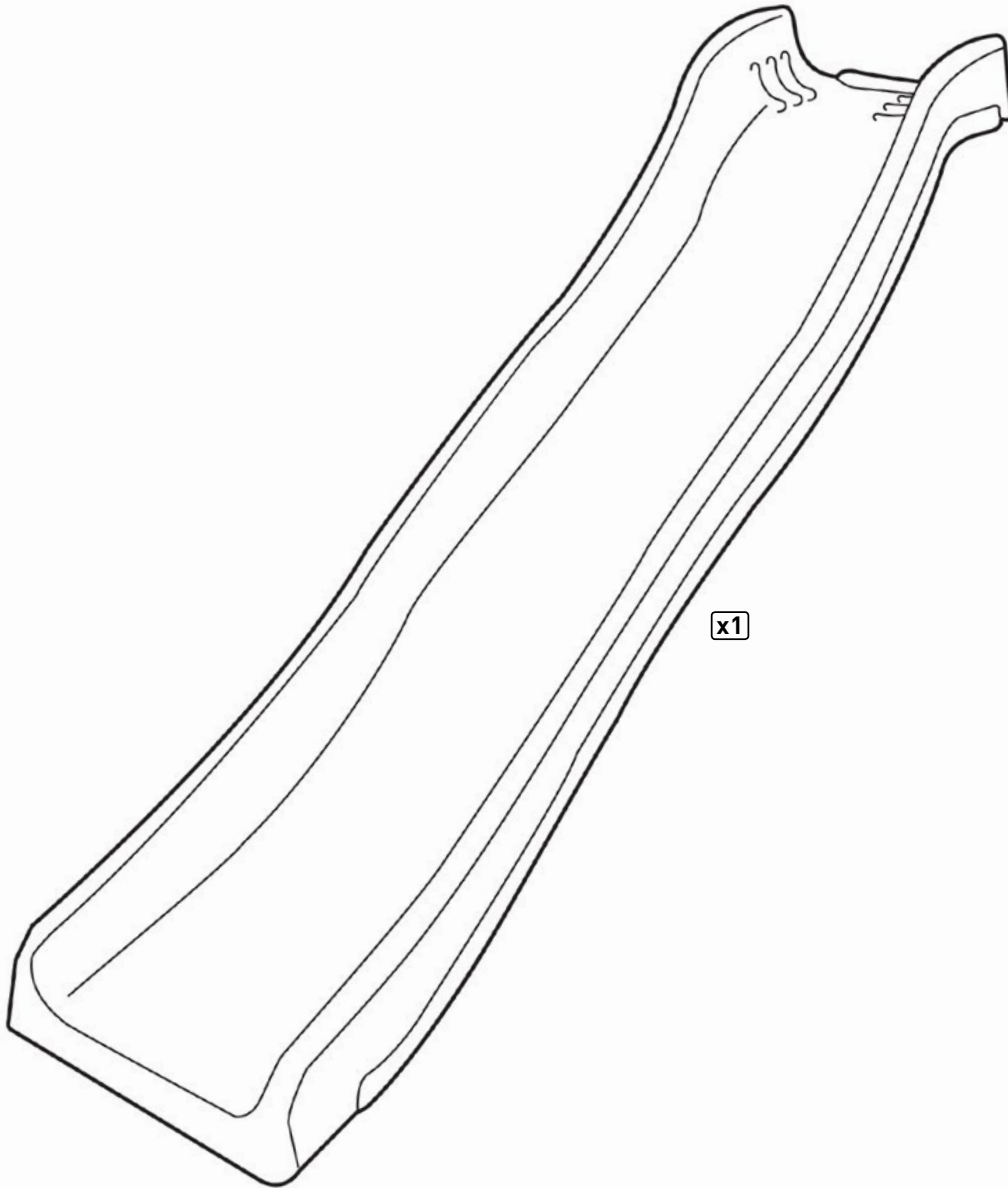


O - Ground Anchor

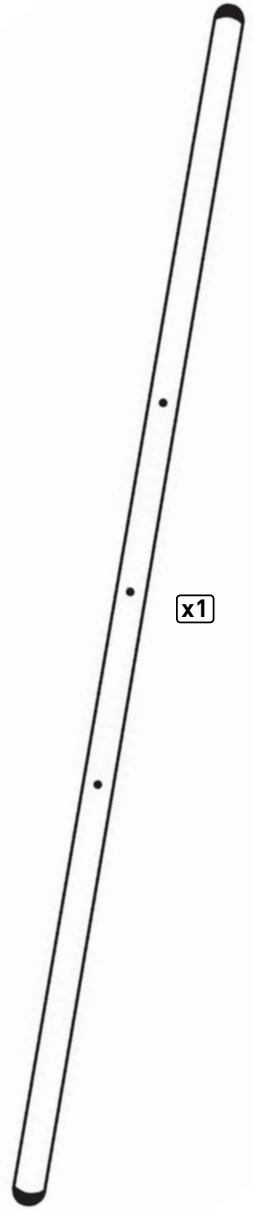


PARTS LIST

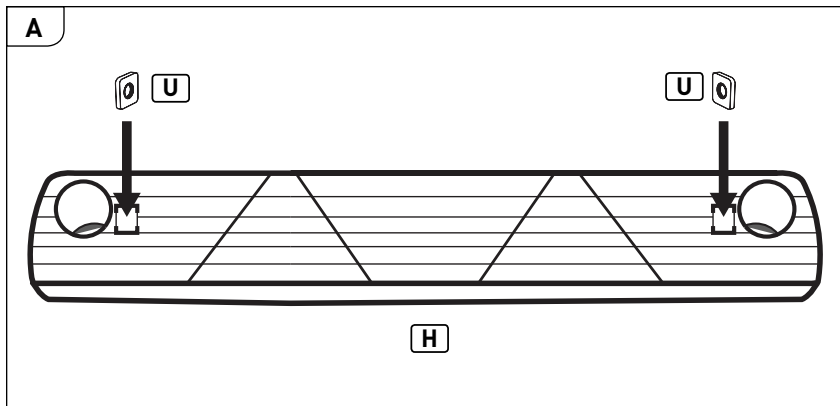
J - Slide Chute



I - Ladder Stabilizer



ASSEMBLY INSTRUCTIONS

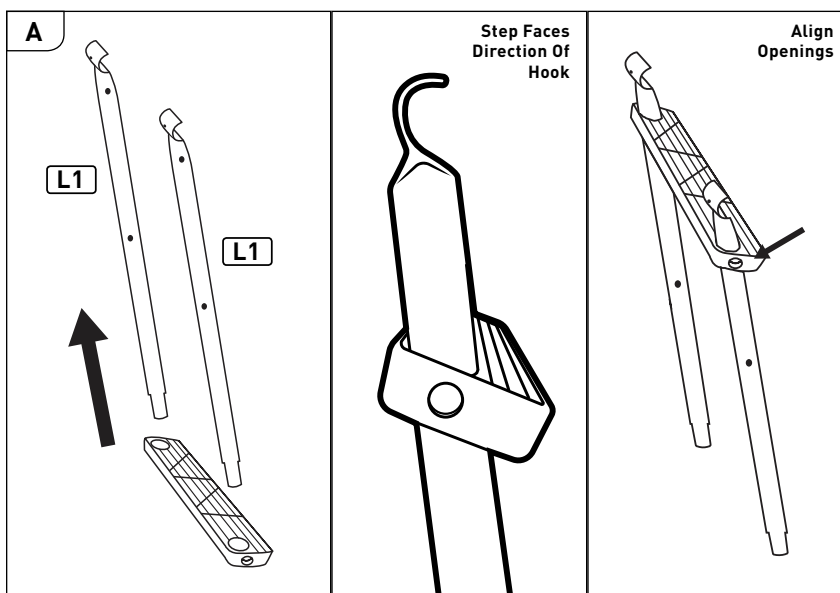


STEP 1:

Parts:

- Part U (x6) - Square Washer
- Part H (x6) - Ladder Step

At the bottom of each Ladder Step (H) there are two openings in which the square washers (U) must be slotted into. Place two Square Washers on each slot. Repeat this Step until all Ladder Steps have Square washers inserted.



STEP 2:

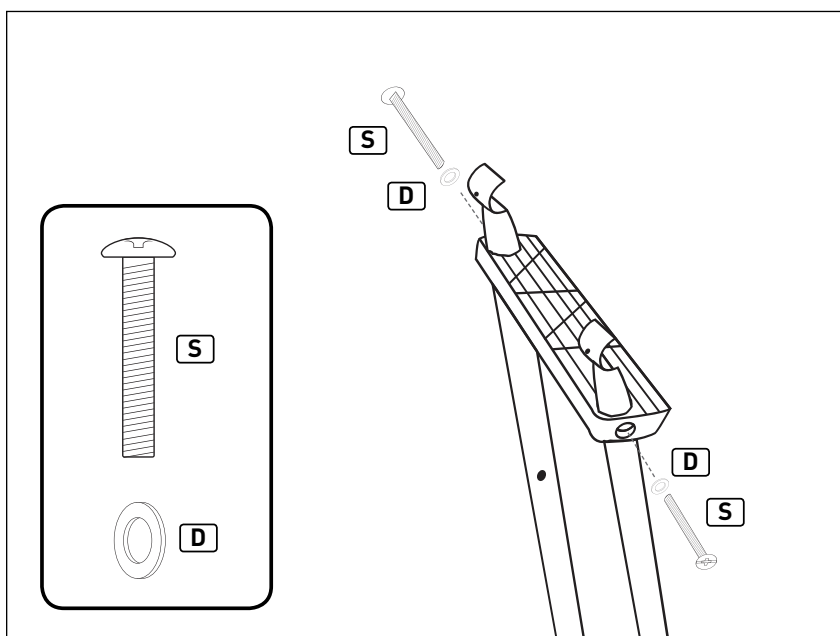
Parts:

- Part L1 (x2) - Hand Rail Tube Bottom

Slide a Ladder Step with the bottom facing upwards, through 2x Hand Rail Tubes (Bottom) (L1) until they reach the openings closest to the hooks.

NOTE:

The texture area of the Step needs to face the direction of the hook as shown to properly install.



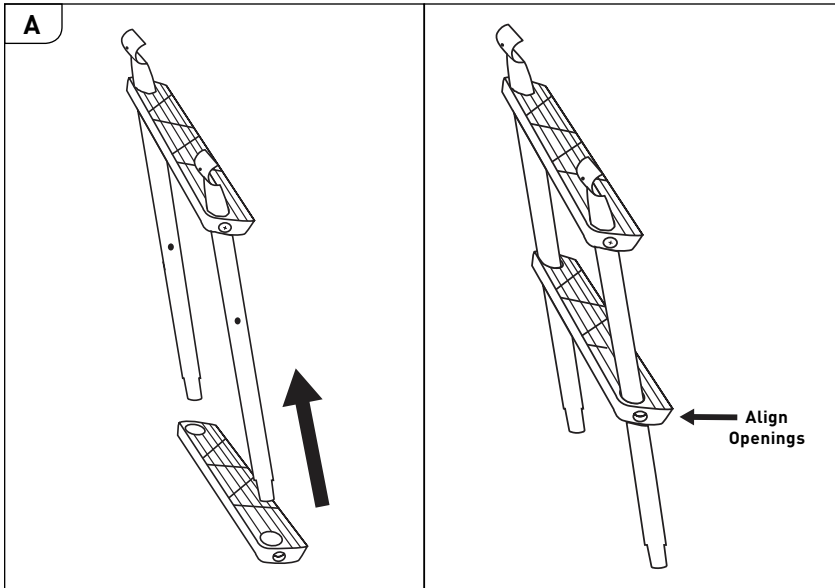
STEP 3:

Parts:

- Part D (x2) - Washer
- Part S (x2) - M6 40mm Bolt

Place a Washer (D) and secure it with a M6 40mm Bolt (S) on both sides to secure the step ladder to the Hand Rail Tubes. The Bolts must be tightened with the Square washers inside the Step Ladder.

ASSEMBLY INSTRUCTIONS

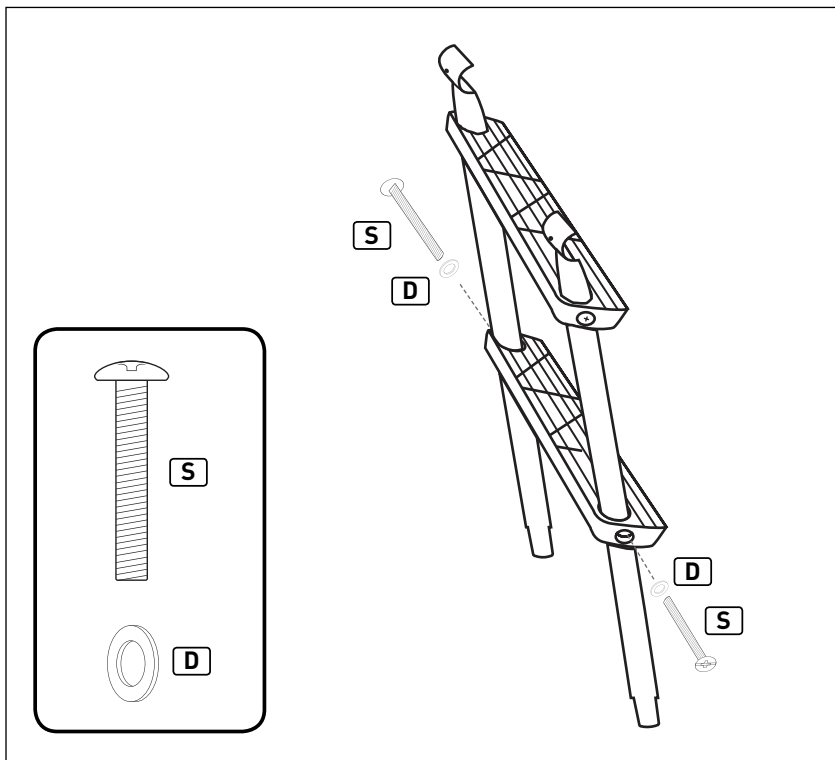


STEP 4:

Slide a Ladder Step with the bottom facing upwards, through 2x Hand Rail Tubes (Bottom) (L1) until they reach the middle openings.

NOTE:

The texture area of the Step needs to face the direction of the hook as shown to properly install.



STEP 5:

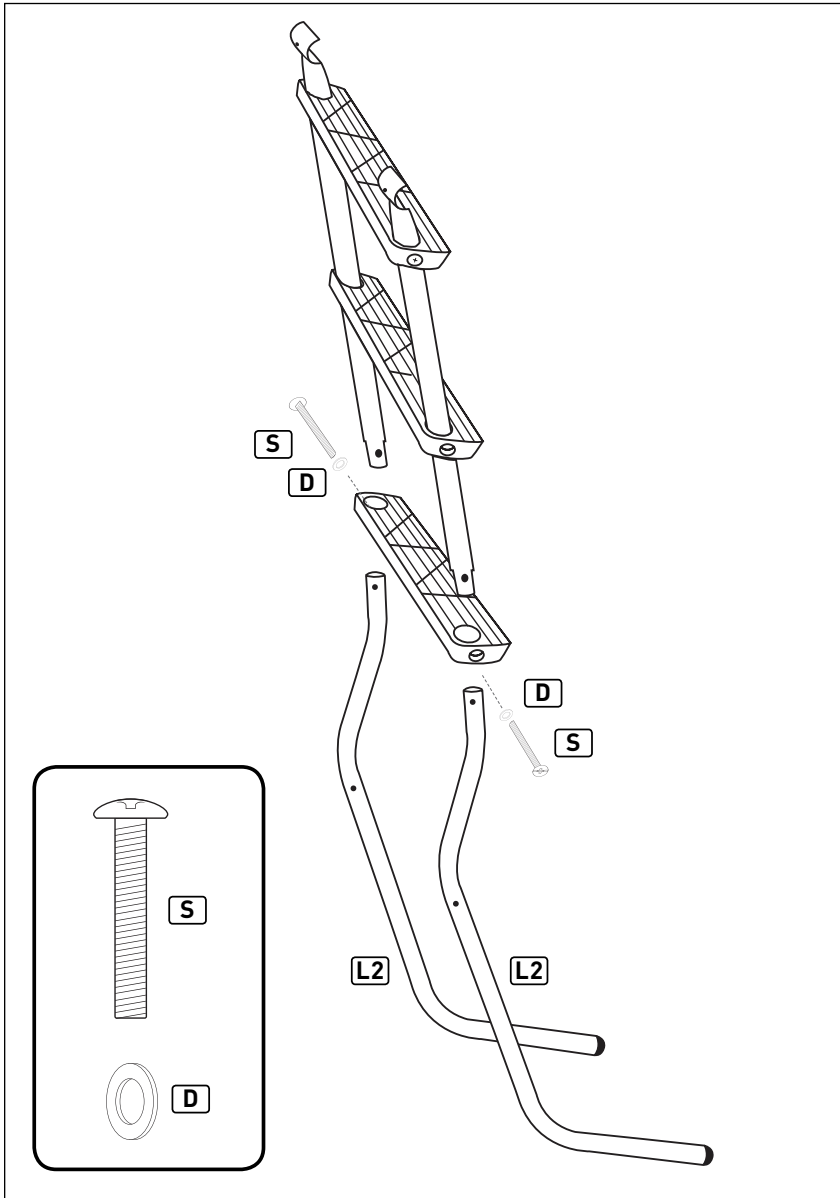
Parts:

Part D (x2) - Washer

Part S (x2) - M6 40mm Bolt

Place a Washer (D) and secure it with a M6 40mm Bolt (S) on both sides to secure the step ladder to the Hand Rail Tubes. The Bolts must be tightened with the Square washers inside the Step Ladder.

ASSEMBLY INSTRUCTIONS



STEP 6:

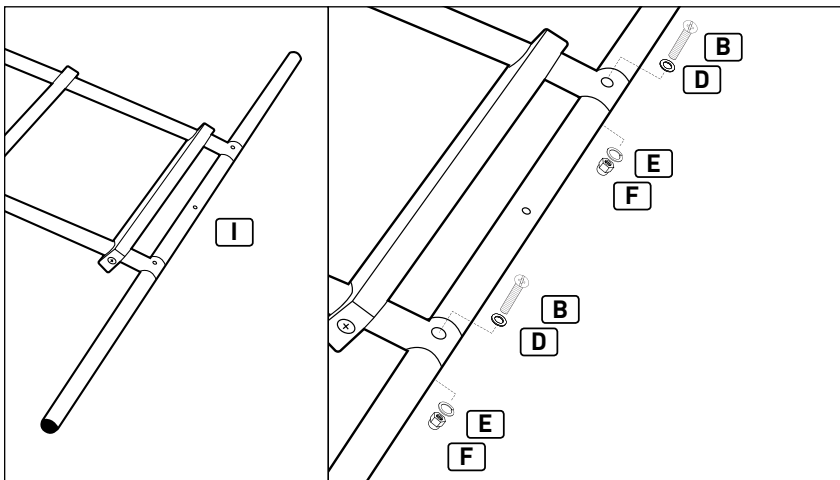
Parts:

- Part D (x2) - Washer
- Part L2 (x2) - Hand Rail Tube (Top)
- Part S (x2) - M6 40mm Bolt

Align the openings of the Step Ladder, the Hand Rail Tube (Bottom) and insert the Hand Rail Tube (Top) (L2).

The Handles of the Hand Rail Tubes (Top) must face the direction of the bottom hooks.

Place a Washer (D) and secure it with a M6 40mm Bolt (S) on both sides to secure the step ladder to the Hand Rail Tubes. The Bolts must be tightened with the Square washers inside the Step Ladder.



STEP 7:

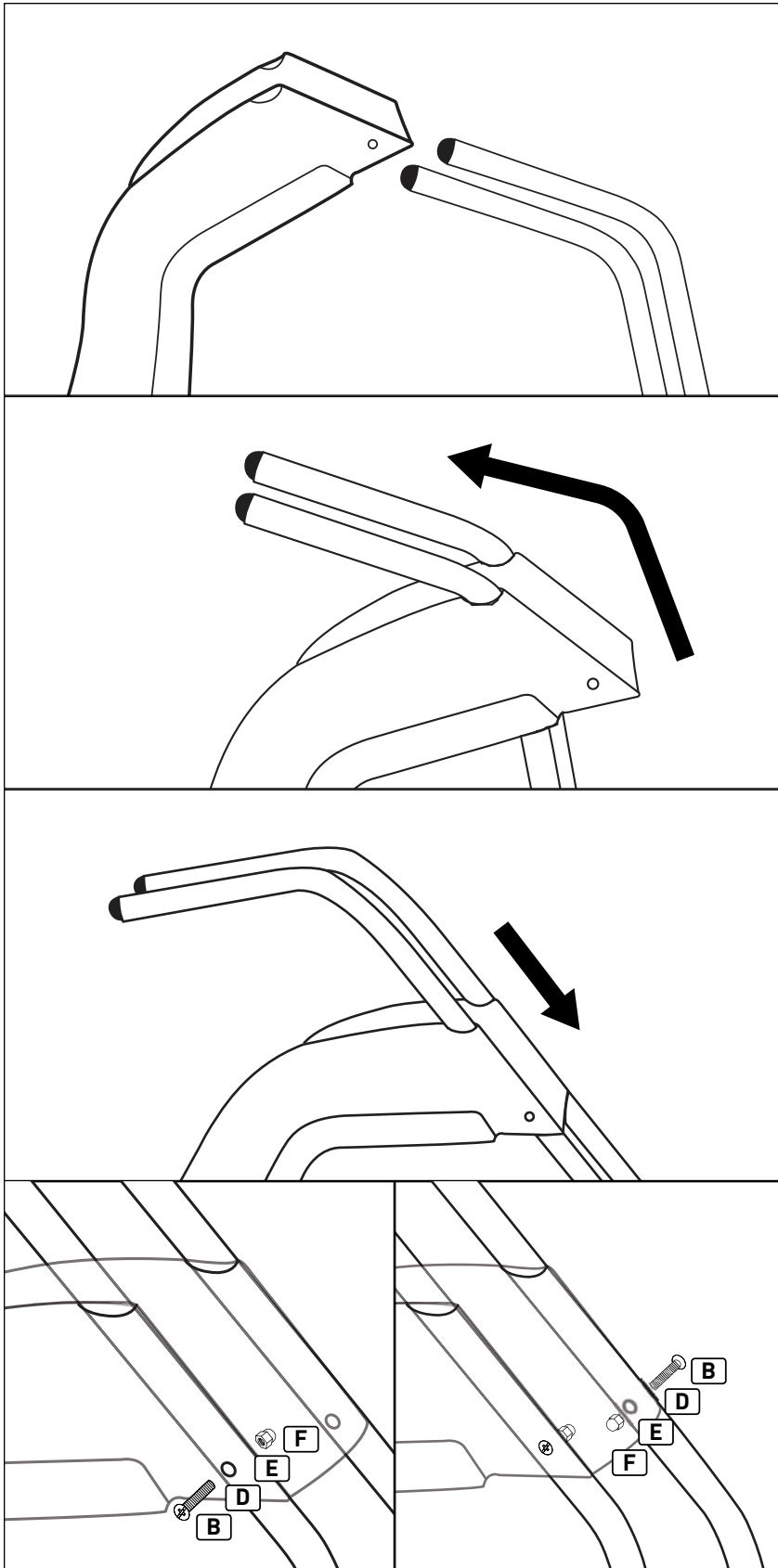
Parts:

- Part B (x2) - M6 30mm Bolt
- Part D (x2) - Washer
- Part I (x1) - Ladder Stabilizer
- Part E (x2) - Spring Washer
- Part F (x2) - Dome Nut

Flip the assembled Hand Rail Tubes & Steps, and align the openings of the bottom hooks to the Ladder Stabilizer (I).

Secure on the back side with Spring Washers (E) and Dome Nuts (F) and on the front side, with Washers (D) and M6 30mm Bolts (B).

ASSEMBLY INSTRUCTIONS



STEP 8:

Parts:

Part J (x1) - Slide Chute

Slide the handle bars from the Handle Rail Tube (Top) through both of the openings of the Slide Chute (J).

Slide the Handler bars until the openings of the Slide Chute align with the Openings of the Handle Bar.

STEP 9:

Parts:

Part B (x2) - M6 30mm Bolt

Part D (x2) - Washer

Part E (x2) - Spring Washer

Part F (x2) - Dome Nut

Secure on the inside with Spring Washers (E) and Dome Nuts (F) and on the front side, with Washers (D) and M6 30mm Bolts (B).

ASSEMBLY INSTRUCTIONS

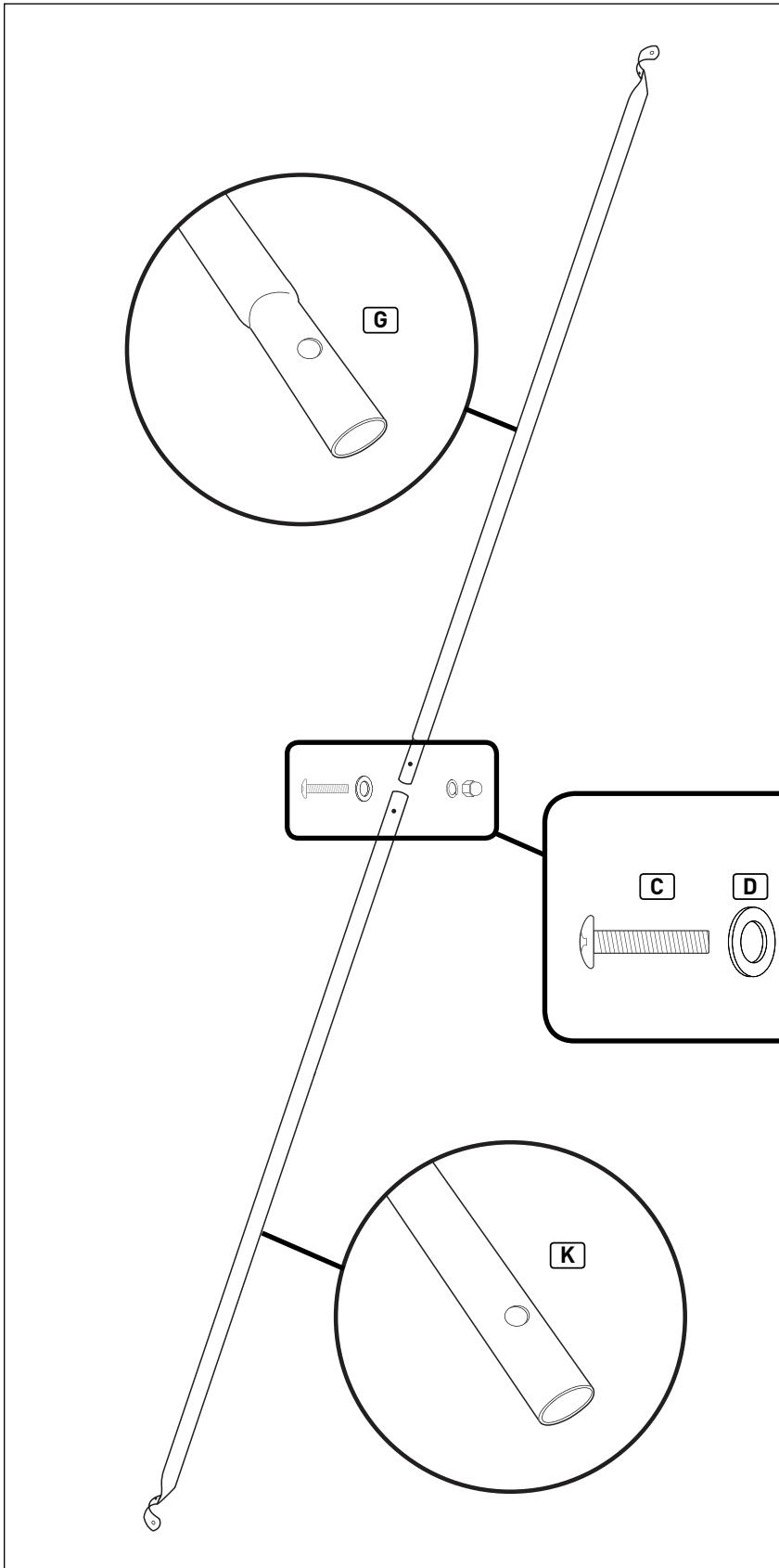
STEP 10 :

Parts:

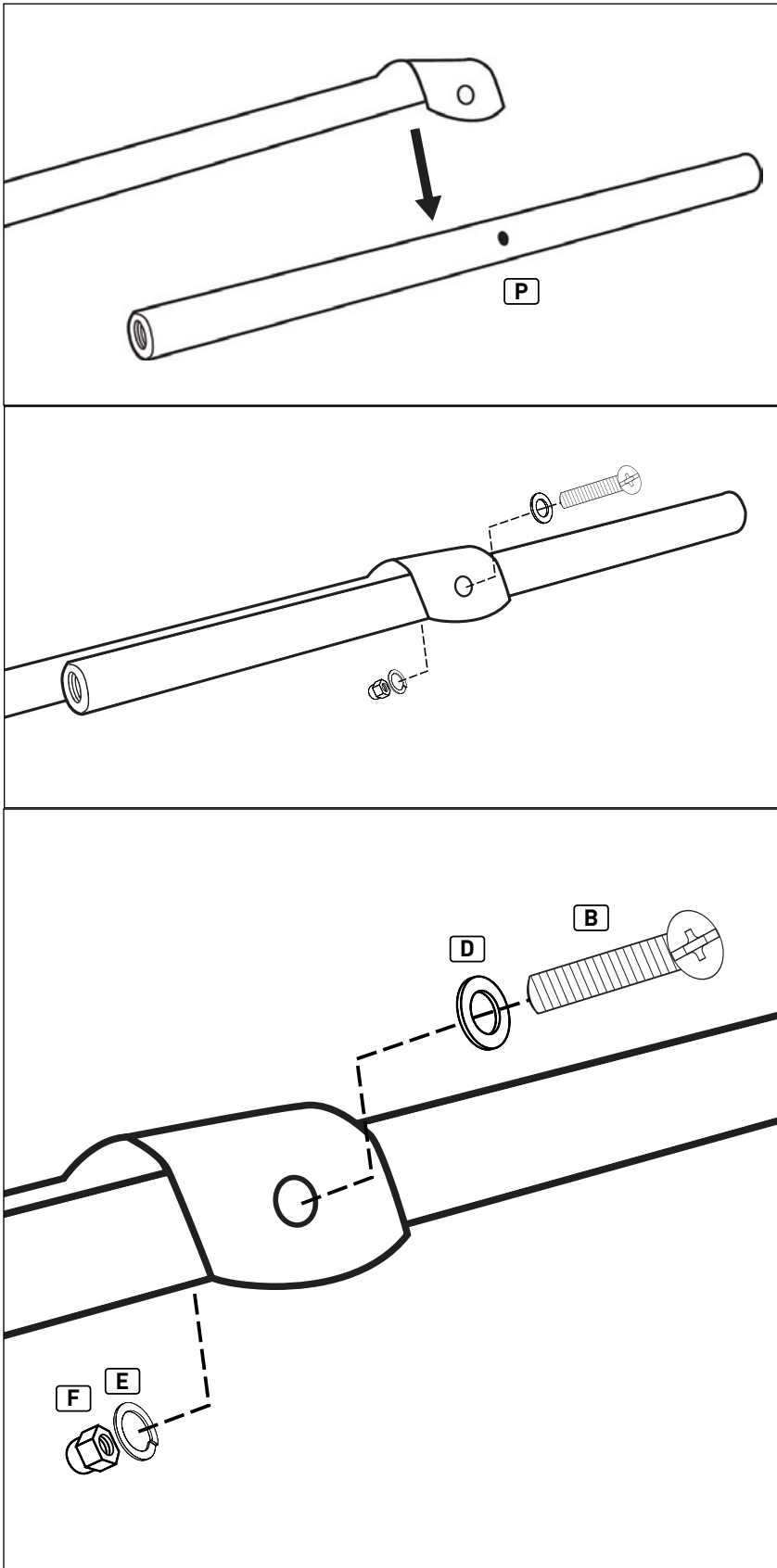
- Part C (x1) - M6 25mm Bolt
- Part D (x1) - Washer
- Part E (x1) - Spring Washer
- Part F (x1) - Dome Nut
- Part G (x1) - Base Tie Bar (Male)
- Part K (x1) - Base Tie Bar (Female)

Connect the Base Tier with the Male End (G) to the female end (K) with both hooks facing the same directions.

Secure on the middle with a Spring Washer (E) and a Dome Nut (F) on one side, and Washers (D) and M6 25mm Bolt (C) on the opposite side.



ASSEMBLY INSTRUCTIONS



STEP 11 :

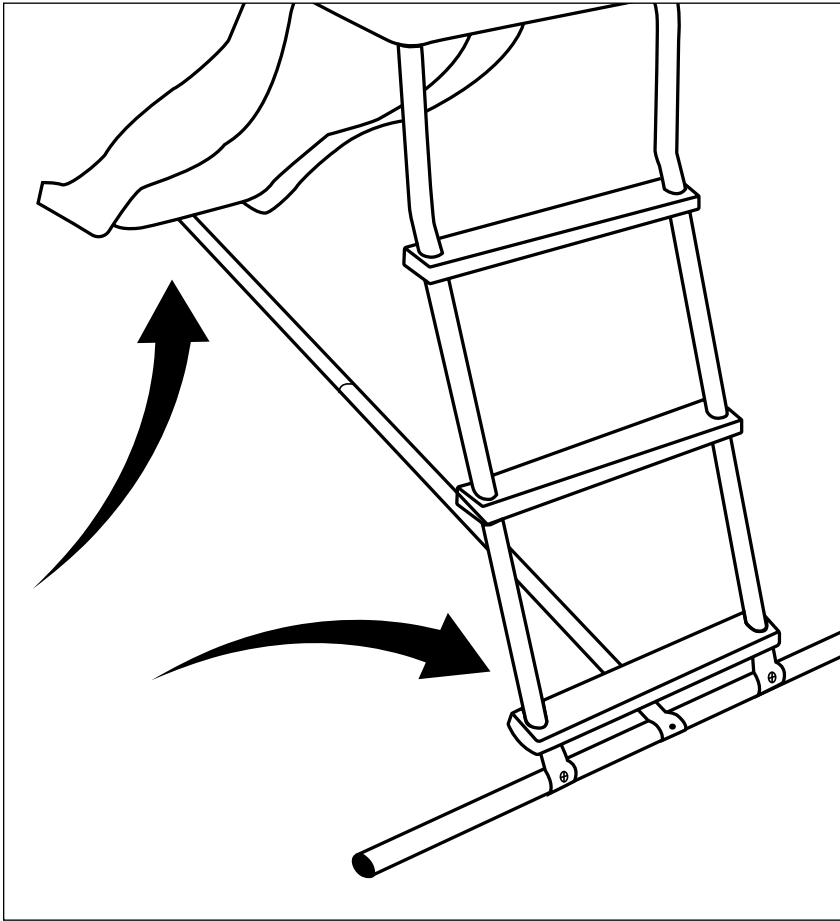
Parts:

- Part B (x1) - M6 30mm Bolt
- Part D (x1) - Washer
- Part E (x1) - Spring Washer
- Part F (x1) - Dome Nut
- Part P (x1) - Chute Base Tube

Place one Hook from the Base Tie on top of the Chute Base Tube (P) and align the openings. Either Hook from the Base Tie Bar can be used.

Secure on the back side with a Spring Washer (E) and a Dome Nut (F), and Washers (D) and M6 30mm Bolt (B) on the front side.

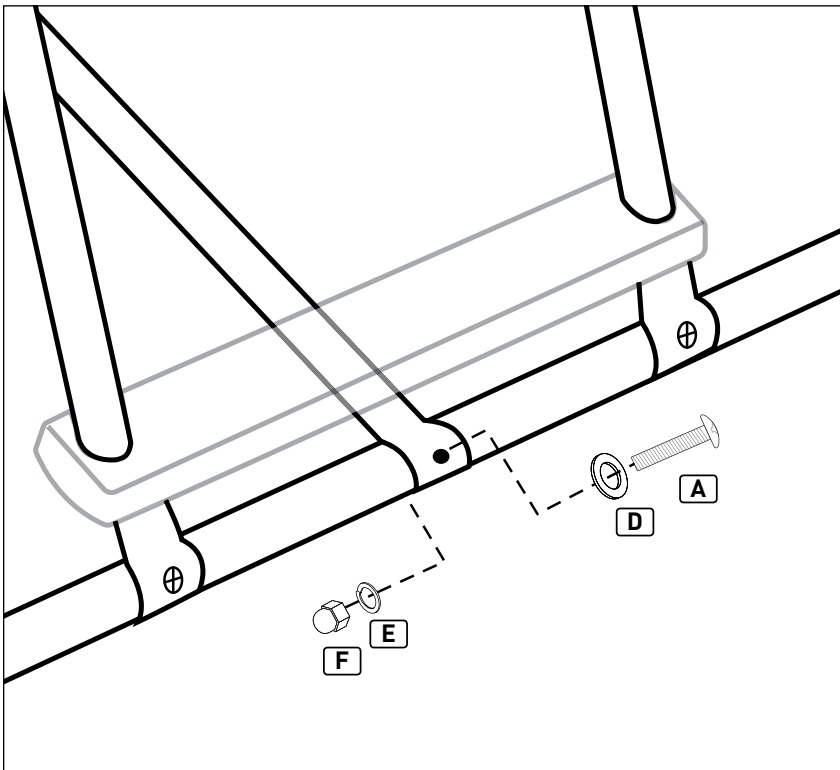
ASSEMBLY INSTRUCTIONS



STEP 12:

Slide the assembled Base Tie Bar under the Slide Chute and the bottom of the ladder.

The Chute Base Tube must be underneath the Bottom of the Slide Chute, and the Open Hook on top of the middle opening of the Ladder Stabilizer.



STEP 13:

Parts:

- Part A (x1) - M6 35mm Bolt
- Part D (x1) - Washer
- Part E (x1) - Spring Washer
- Part F (x1) - Dome Nut

Connect the Base Tier with the Male End (G) to the female end (K) with both hooks facing the same directions.

Secure on back side with a Spring Washer (E) and a Dome Nut (F), and a Washer (D) and M6 35mm Bolt (A) on the front side.

ASSEMBLY INSTRUCTIONS

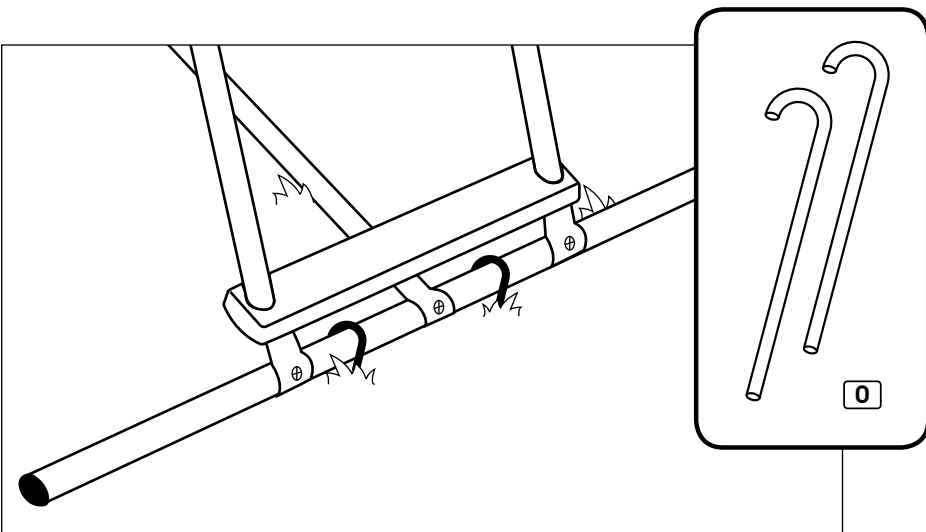
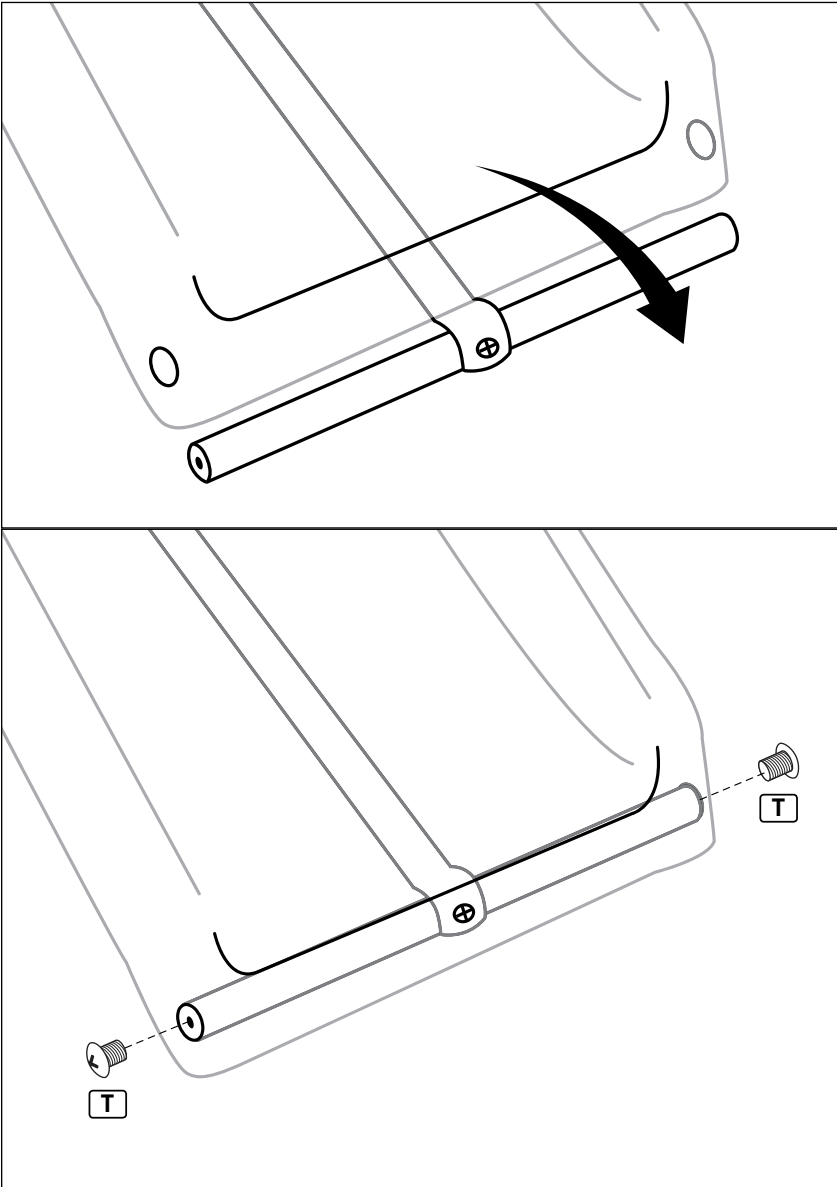
STEP 14:

Parts:

Part T (x2) - M6 15mm Bolt

Slide the bottom of the Slide on top of the Base Tie Bar if got pushed out,. Align the side openings of the Slide to the Chute Base Tube.

Secure with 2x M6 15mm Bolts (T).



STEP 15:

Parts:

Part O (x2) - Ground Anchor

If the Wavy Slide is placed outdoors, use the Ground Anchors to secure it to soft ground to prevent sliding or turning.

