

FOR AGES:

6+

WEIGHT LIMIT:

220 Lbs
100 Kgs

ADULT(S) NEEDED:



TOOLS NEEDED:



WARNING/ADVERTENCIA

- The contents of this package are not suitable for children under 3 years of age. Contains small parts which may cause choking.
- ADULT ASSEMBLY REQUIRED.
- Remove when trampoline is not in use.
- Trampolines are not for children under 6 years of age.
- Do not use ladder if children under 6 years of age are nearby.
- Do not allow more than one person to use the ladder at the same time.

CUSTOMER SERVICE

-  GQBrands.com
-  CustomerService@GQBrands.com
-  1-866-498-5269
-  4009 Distribution Dr, Suite 240
Garland, TX 75041

CUSTOMER SERVICE INFORMATION

Thank you for purchasing:

DURA-BOUNCE TRAMPOLINE LADDER

MODEL# 9300TL

At Global Quality Brands®, we want all of our customers to be completely satisfied with their purchase. Please take time to review the contents of the product you have just received to make sure that all of the parts are included. If you find that any parts are missing or damaged, we will happily provide replacement parts at no charge within 30 days of purchase.

Please keep in mind that for select damaged part replacement requests, we will require a photo for submission.

If you request replacement parts, please be sure to include the following information in your correspondence:

YOUR NAME:

YOUR MAILING ADDRESS:

YOUR EMAIL ADDRESS:

PRODUCT NAME:

PRODUCT MODEL #:

PART # (Located In Manual)

RETAILER WHERE YOU PURCHASED PRODUCT:

DATE OF PURCHASE:

ORDER # (If Available)

SERIAL#:

QUANTITY NEEDED:

PICTURE OF DAMAGED PART(s) SUBMIT VIA Email, Fax, or Mail

To order these parts, or if you have any other questions or concerns about this GQ Brands product, please contact us at

PureFun.net
Global Quality Brands®
Phone: 1-866-498-5269
Email: CustomerService@gqbrands.com
4009 Distribution Dr, Suite 240
Garland, TX 75041

Sincerely,
Customer Service



LIMITED WARRANTY

Global Quality Brands® warrants this product to be free from defects in workmanship and materials under normal use and conditions for a period of 90 DAYS FROM THE DATE OF ORIGINAL PURCHASE. This Limited Warranty is not transferable and is available only for the original purchaser of the Product. The Company's obligation under this warranty is limited to replacing or repairing the Product, at the discretion of the company.

All warranty coverage extends only to the original retail purchaser from the date of purchase, GQ Brands obligation under this warranty is limited to replacing or repairing, at Global Quality Brands® option. All products for which a warranty claim is made must be received by Global Quality Brands® and accompanied by sufficient proof of purchase (photocopy of the original store receipt, indicating the date of purchase). All freight and handling fees are the responsibility of the consumer to pay, both to and from Global Quality Brands®. All warranty claims must be preauthorized by Global Quality Brands® pre-authorization can be obtained by calling 866-498-5269.

This warranty does not cover ordinary wear and tear, weathering, failure to follow directions, improper installation, improper maintenance, or acts of nature, (such as damage caused by wind, lightning, snow, water, or ice) weather damage, damage caused by unauthorized repair work or damage caused by improper use of the products are not covered by the product warranty. No other warranty beyond that specifically set forth above is authorized by GQBrands®.

GLOBAL QUALITY BRANDS® IS NOT RESPONSIBLE OR LIABLE FOR INDIRECT, SPECIAL OR CONSEQUENTIAL DAMAGES ARISING OUT OF OR IN CONNECTION WITH THE USE OR PERFORMANCE OF THE PRODUCT OR OTHER DAMAGES WITH RESPECT TO ANY ECONOMIC LOSS, LOSS OF PROPERTY, LOSS OF REVENUE OR PROFITS, LOSS OF ENJOYMENT OR USE, COST OF REMOVAL, INSTALLATION OR OTHER CONSEQUENTIAL DAMAGES. SOME STATES DO NOT ALLOW THE EXCLUSION OR LIMITATION OF INCIDENTAL OR CONSEQUENTIAL DAMAGES. ACCORDINGLY, THE ABOVE LIMITATION MAY NOT APPLY TO YOU. THE WARRANTY EXTENDED HEREUNDER IS IN LIEU OF ALL OTHER WARRANTIES AND GLOBAL QUALITY BRANDS®, SPECIFICALLY DISCLAIMS ANY IMPLIED WARRANTY OF MERCHANTABILITY OR FITNESS FOR A PARTICULAR PURPOSE IS LIMITED IN ITS SCOPE AND DURATION TO THE TERMS SET FORTH HEREIN. SOME STATES DO NOT ALLOW LIMITATION ON HOW LONG AN IMPLIED WARRANTY LASTS. ACCORDINGLY, THE ABOVE LIMITATION MAY NO APPLY TO YOU. THIS WARRANTY GIVES YOU SPECIFIC LEGAL RIGHTS. YOU MAY ALSO HAVE OTHER RIGHTS, WHICH VARY FROM STATE TO STATE.

WHILE EVERY ATTEMPT IS MADE TO ENSURE THE HIGHEST DEGREE OF PROTECTION IN ALL EQUIPMENT, WE CANNOT GUARANTEE FREEDOM OF INJURY. THE USER ASSUMES ALL RISK OF INJURY DUE TO USE. ALL MERCHANDISE IS SOLD ON THIS CONDITION, WHICH NO REPRESENTATIVE OF GQ BRANDS® CAN WAIVE OR CHANGE.



IMPORTANT MESSAGE

WARNING - PLEASE READ

ADULT ASSEMBLY REQUIRED

CHOKING HAZARD - Small Parts

NOT for children under 3 years of age.

WARNING:

While every attempt is made to ensure the highest degree of protection in all equipment, we cannot guarantee freedom from injury. The user assumes all risks of injury due to use. All merchandise is sold on this condition, which no representative of the company can waive or change.

WARNINGS

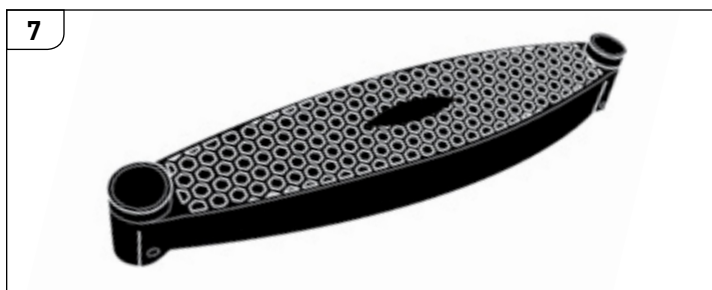
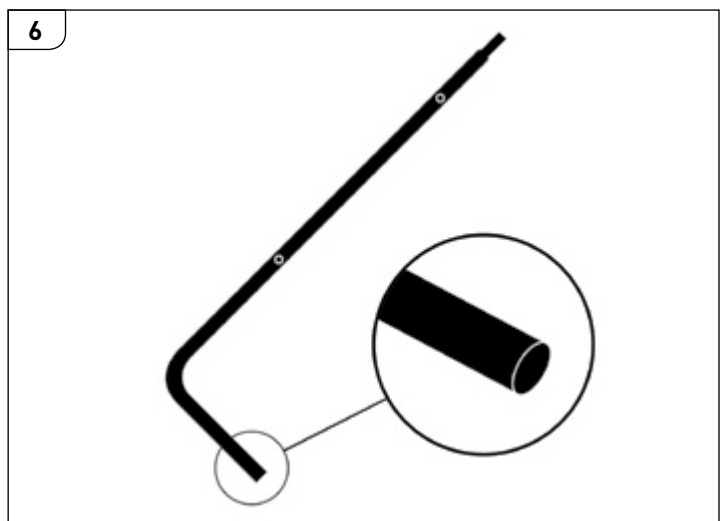
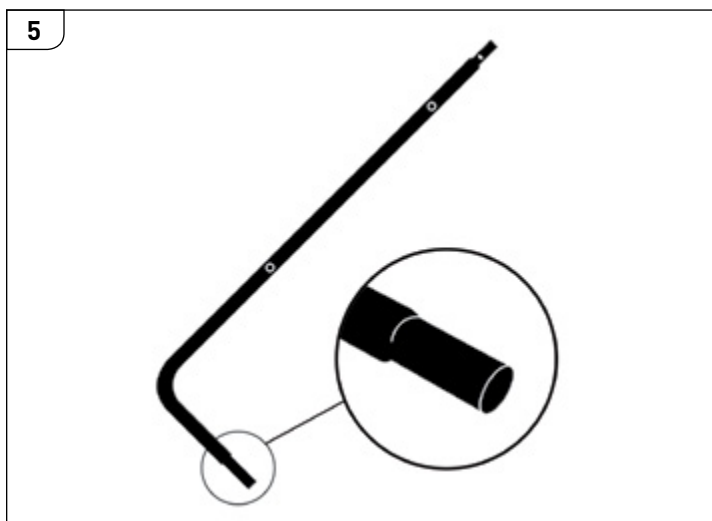
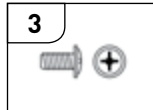
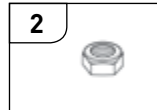
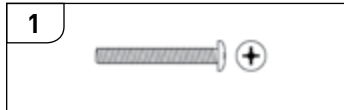
Please read these warnings and the information in this manual in its entirety.

Failure to comply with the following instructions may increase the risk of serious injury and/or death:

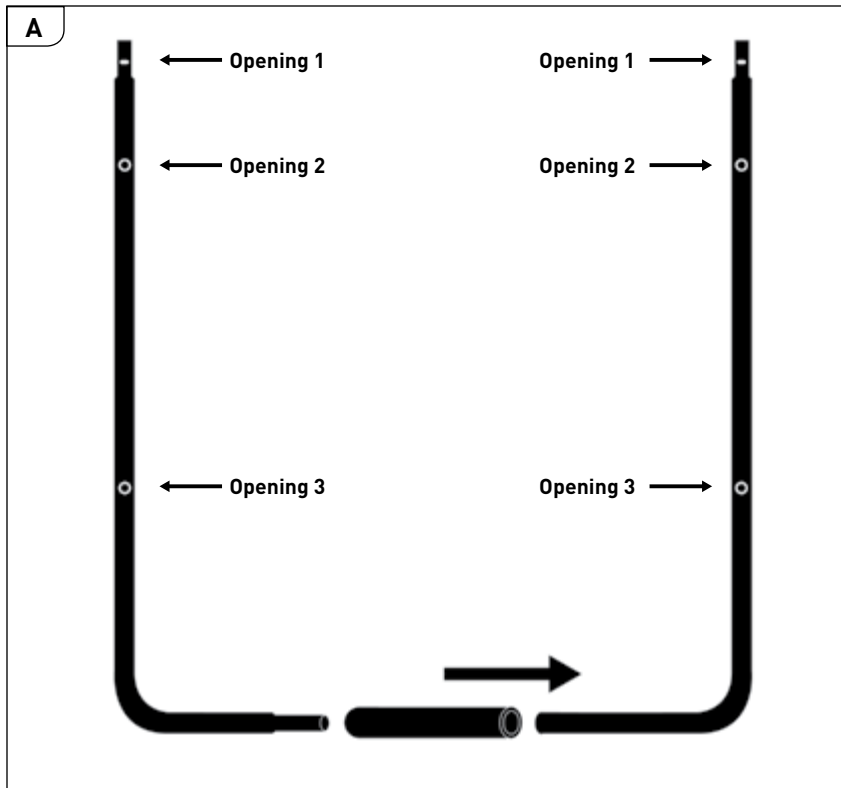
- Please read these instructions in their entirety before use and retain for future reference.
- Ensure that this product has been assembled correctly per the instructions in this manual.
- This manual is designed to help you assemble, adjust, maintain and use the product. It contains important information regarding your safety and use of this equipment.
- ALWAYS secure the ladder away from the trampoline when it is not in use to prevent unauthorized and/or unsupervised use of the trampoline. Remove ladder when trampoline is not in use.
- This ladder assists in mounting and dismounting of the trampoline.
- Children under 6 are not recommended to use trampoline.
- Do not use ladder if children under 6 might be nearby.
- Please refer to your trampoline's instruction manual for safety warnings and tips on usage of your trampoline. This guide only refers to the use and assembly of this ladder.
- This unit must be assembled and disassembled by ADULTS ONLY.
- Children must be supervised at all times when using this equipment. DO NOT leave children unattended at any time.
- DO NOT exceed the MAXIMUM WEIGHT limit of 220lbs /100kgs
- DO NOT allow more than one person on the trampoline ladder at a time.
- DO NOT allow other persons to climb on, go under, sit, stand or hang from the ladder while the trampoline is in use.
- Dispose of all packaging materials safely and per local ordinance.
- Please refer to the table for part descriptions and numbers.
- Make sure you have all parts listed. If you are missing any parts, please contact customer service.
- This ladder is ONLY intended for assistance in the mounting and dismounting of large outdoor trampolines. It is the customer's responsibility to ensure that the ladder attaches to their specific trampoline properly, and that it has the necessary ground clearance for proper use. The customer assumes any and all responsibility for any application outside of this intended usage.

PARTS LIST

Part #	Description	QTY	Part#	Description	QTY
1	60mm Screw	x4	5	L-Shaped Pole - Male	x1
2	Screw Nut	x4	6	L-Shaped Pole - Female	x1
3	10mm Screw	x2	7	Step	x2
4	Foam Tube	x1	8	Pole with Coated Flat Hook	x2



ASSEMBLY INSTRUCTIONS



STEP 1:

Locate:

- x1 Foam Tube (Part 4)
- x1 L-Shaped Pole - Male (Part 5)
- x1 L-Shaped Pole - Female (Part 6)

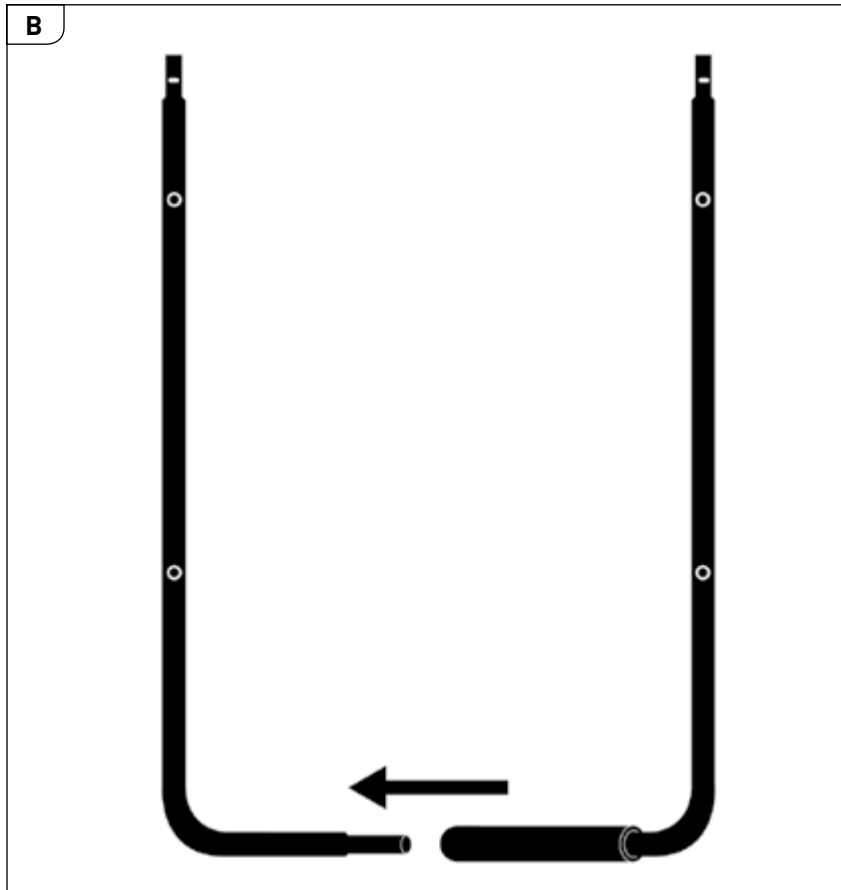
NOTE:

Both poles must show all 3 openings when assembling the trampoline ladder. This will allow you to know that this is the front of the Dura-Bounce Trampoline Ladder.

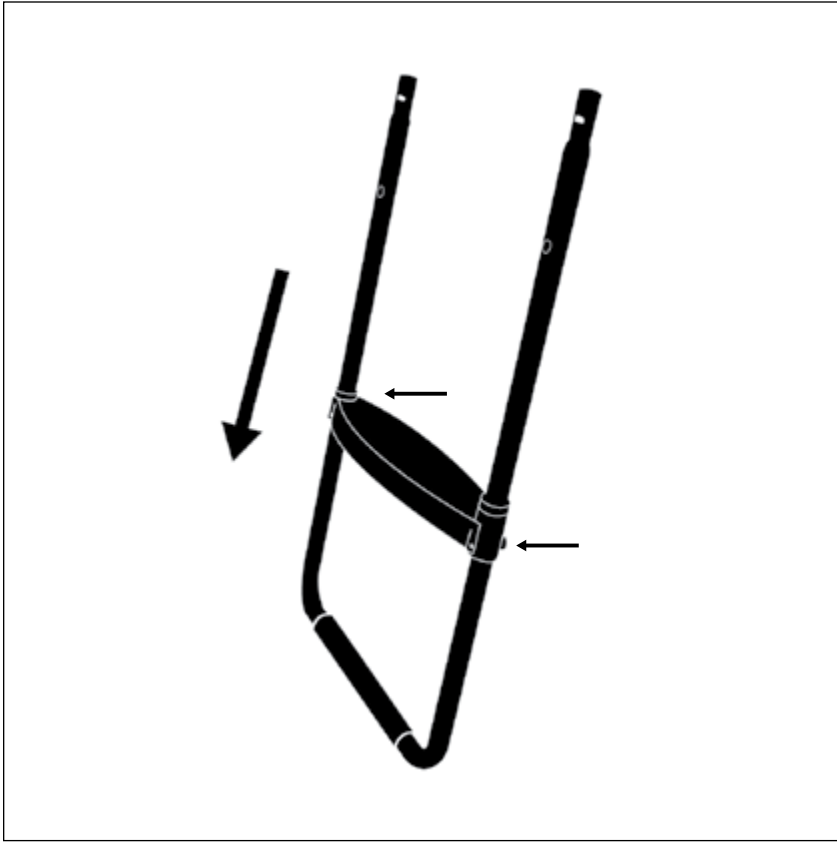
A. Place both L-Shaped Poles flat on a safe and open floor free of obstructions.

Slide the Foam Tube (Part 4) into the bottom part of the L-Shaped Pole - Female (Part 6).

B. Tightly push together the bottom part of the L-Shaped Pole - Male (Part 5) into the bottom part of the L-Shaped Pole - Female (Part 6).



ASSEMBLY INSTRUCTIONS



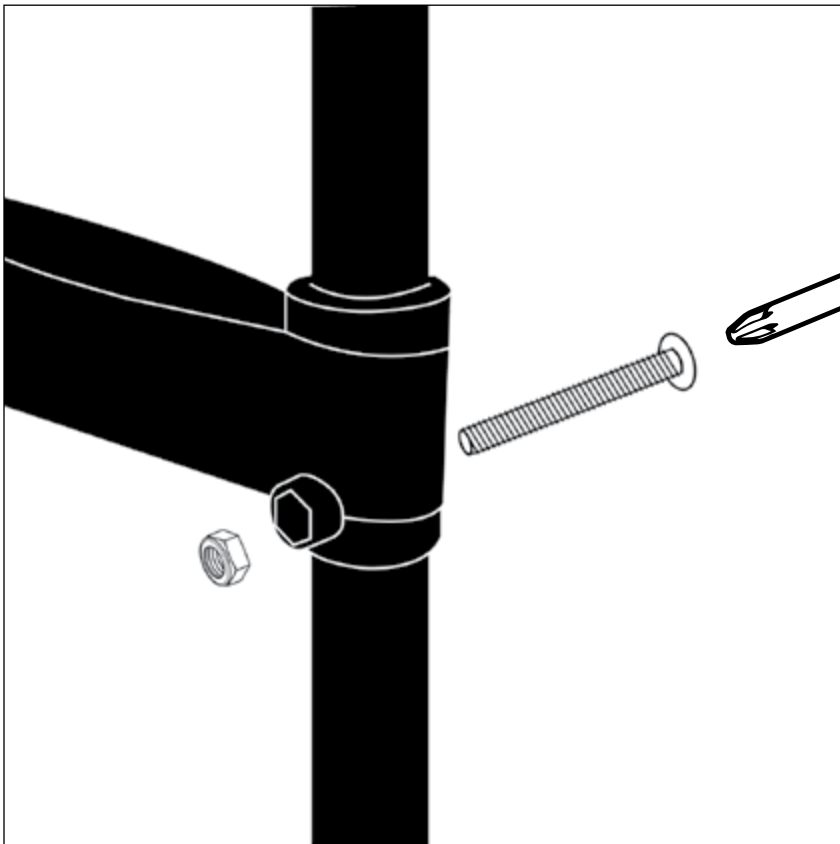
STEP 2:

Locate:
x1 Step (Part 7)

Slide the Step (Part 7) from the top of the Poles until it reaches and aligns to the bottom openings.

NOTE:

Make sure that the top part of the Step is facing upwards. It will be made up of a geometric pattern and be completely flat.



STEP 3:

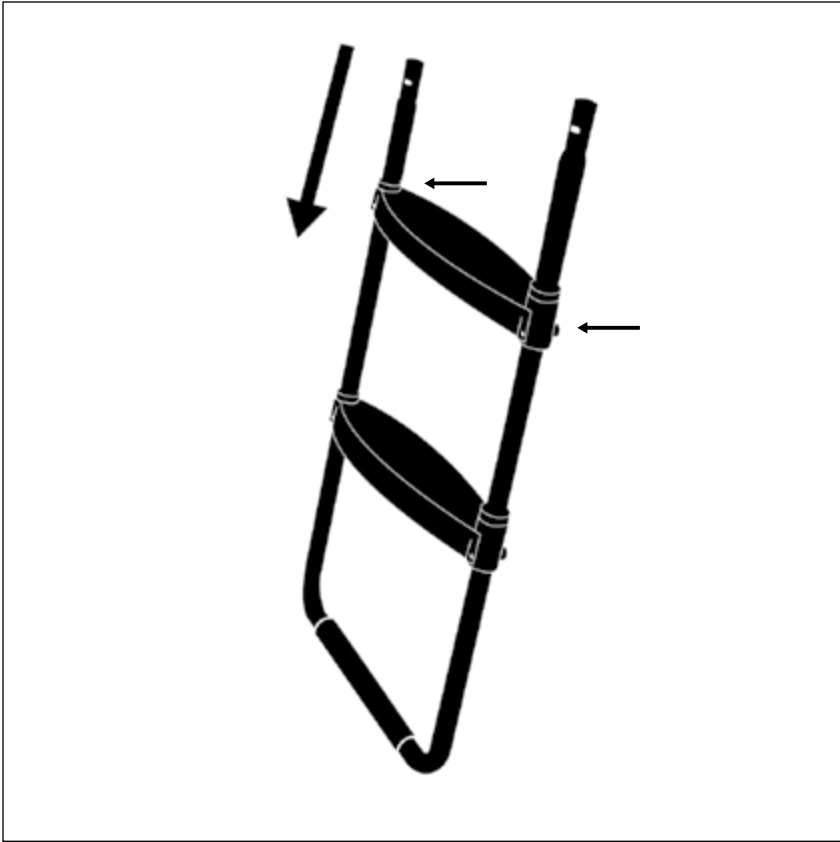
Locate:
x2 60mm Screw (Part 1)
x2 Screw Nut (Part 2)

- Slide x1 Screw Nut (Part 2) on the back of the Step (Part 7), it will fit perfectly.
- Align all openings from the Step & Pole.

Insert x1 60mm Screw (Part 1) and tighten with a Phillips Screwdriver.

Hold on to the Screw Nut on the opposite side to avoid that it falls as you tighten the Screw.

ASSEMBLY INSTRUCTIONS



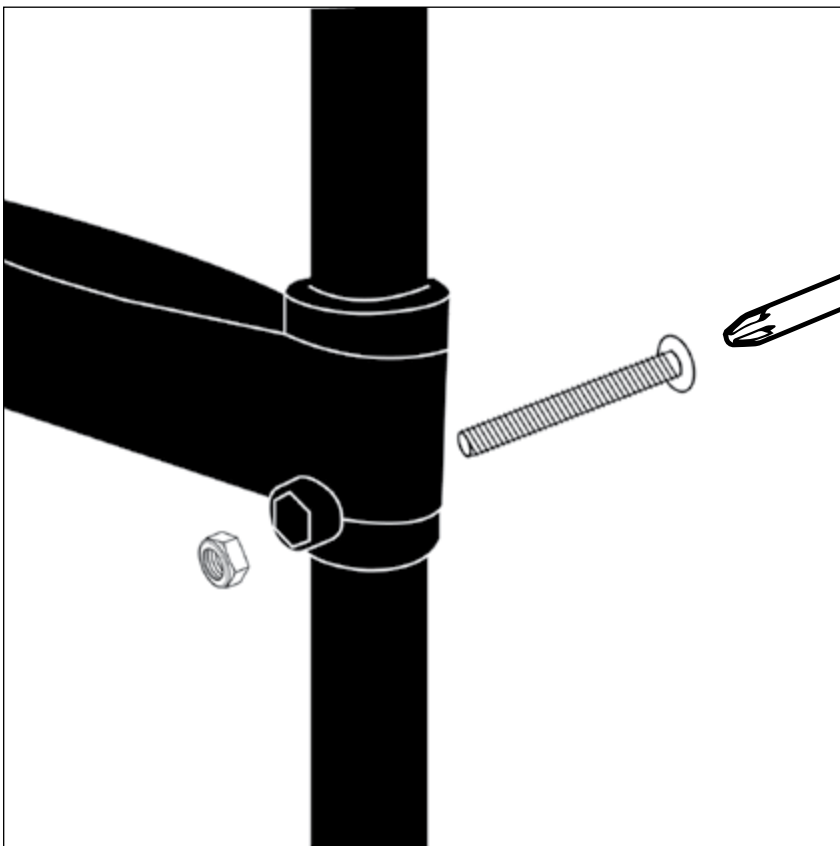
STEP 4:

Locate:
x1 Step (Part 7)

Slide the Step (Part 7) from the top of the Poles until it reaches and aligns to the upper openings.

NOTE:

Make sure that the top part of the Step is facing upwards. It will be made up of a geometric pattern and be completely flat.



STEP 5:

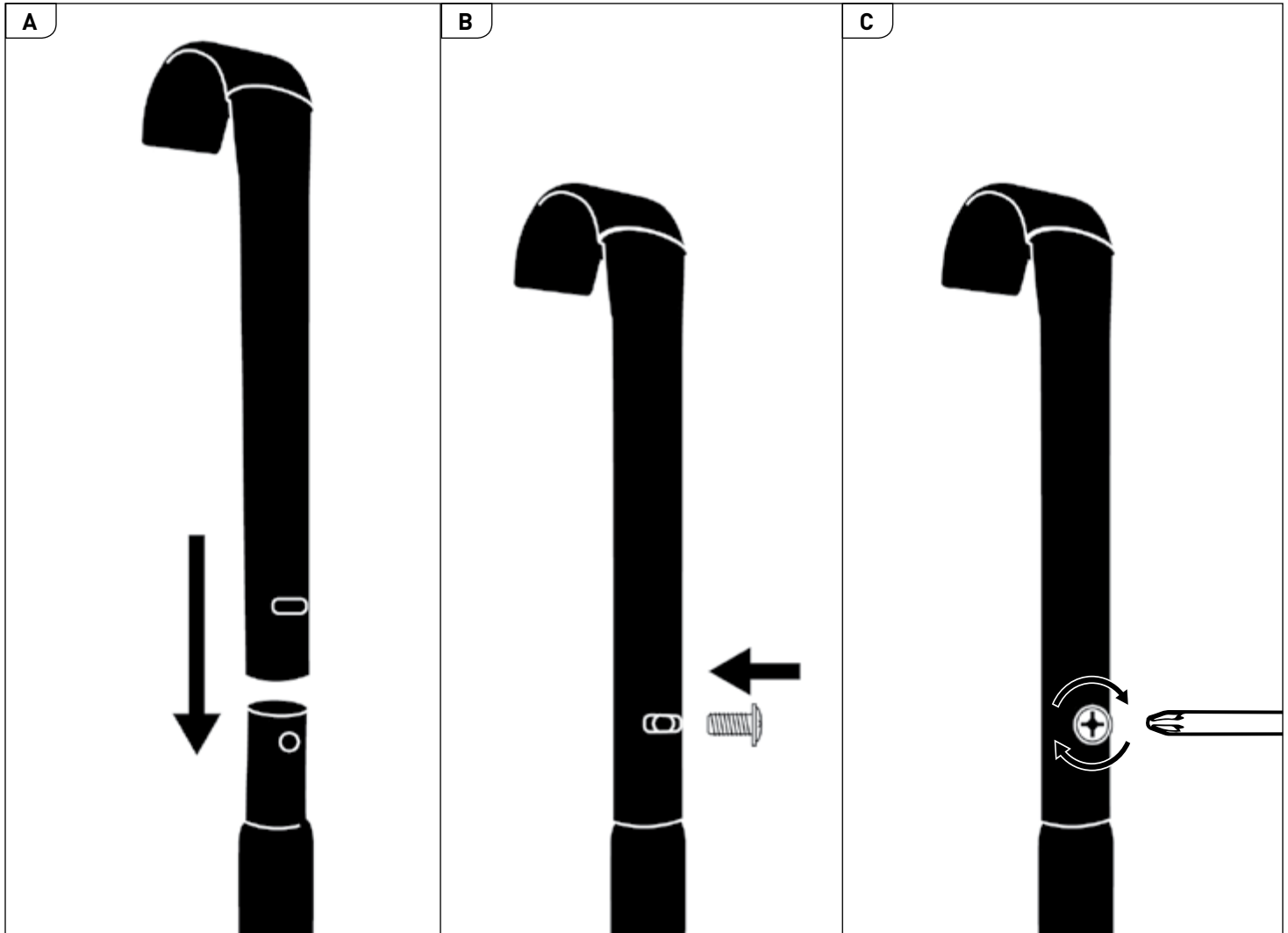
Locate:
x2 60mm Screw (Part 1)
x2 Screw Nut (Part 2)

- Slide x1 Screw Nut (Part 2) on the back of the Step (Part 7), it will fit perfectly.
- Align all openings from the Step & Pole.

Insert x1 60mm Screw (Part 1) and tighten with a Phillips Screwdriver.

Hold on to the Screw Nut on the opposite side to avoid that it falls as you tighten the Screw.

ASSEMBLY INSTRUCTIONS



STEP 6:

Locate:

- x2 10mm Screw (Part 3)
- x2 Pole with Coated Flat Hook (Pa

- Slide x1 Pole with Coated Flat Hook (Part 8) on to the upper part of the L-Shaped Pole.
- Align both openings from the poles. With a Phillips Screwdriver, tighten 1x 10mm Screw (Part 3).
- Make sure that the Pole is secure and the Screw is fully tightened. Repeat this process on the opposite side.

ASSEMBLY INSTRUCTIONS



STEP 7:

Once the Dura-Bounce Trampoline ladder is fully assembled, place both hooks under the Frame Pad of your Dura-Bounce Trampoline.

NOTE:

If you have an Enclosure Net, Make sure to locate the zipper entrance and place the Dura-Bounce Trampoline Ladder in front of it, this will make it easier to enter the trampoline safely.

FREQUENTLY ASKED QUESTIONS

- Question: "The Hooks of the ladder are in the opposite side?" Or "I am ale to hook to the trampoline but the steps are not flat when inclined"

Answer: The Steps were slided in wrong when they were attached.

To make sure the hooks fall safely onto the trampoline and the steps are perpendicular to the floor, re-assemble and make sure all 3 openings are facing you when re-assembling the ladder.

- Question: "The steps of the trampoline are uncomfortable when I step on them, what can I do?"

Answer: The steps might be upside down. Make sure that the pattern and flat surface is facing up to make sure climbing is comfortable and safe.

- Question: "One of the parts in my product is damaged, how do I replace it?"

Answer: If you are still within your warranty period (90 days from initial purchase) You should contact customer service and request more information.

- Question: "I had a part missing from my box" or "something was damaged during assembly, can you send it to me?"

Answer: If it has been 30 days or less from the date of your initial purchase, you can contact customer service for a replacement part to be issued.